



# Quadro4

## Spare Part Catalogue

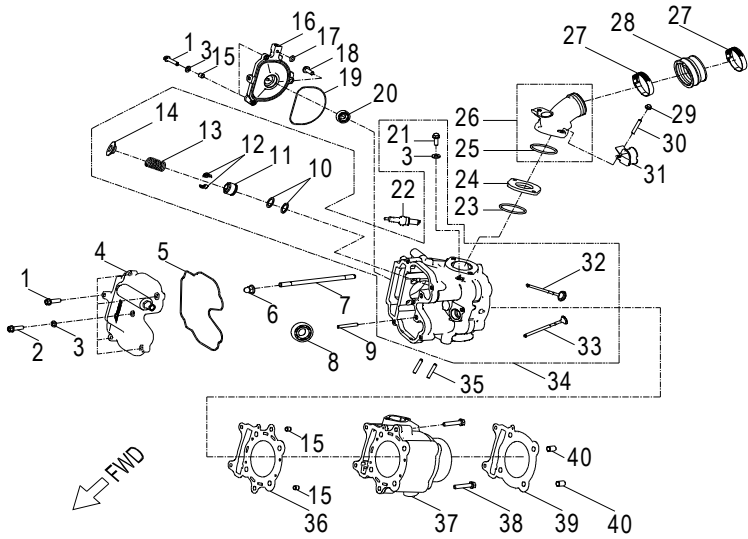
issue date: 15/11/2017

**Vehicle Type: 632 30**



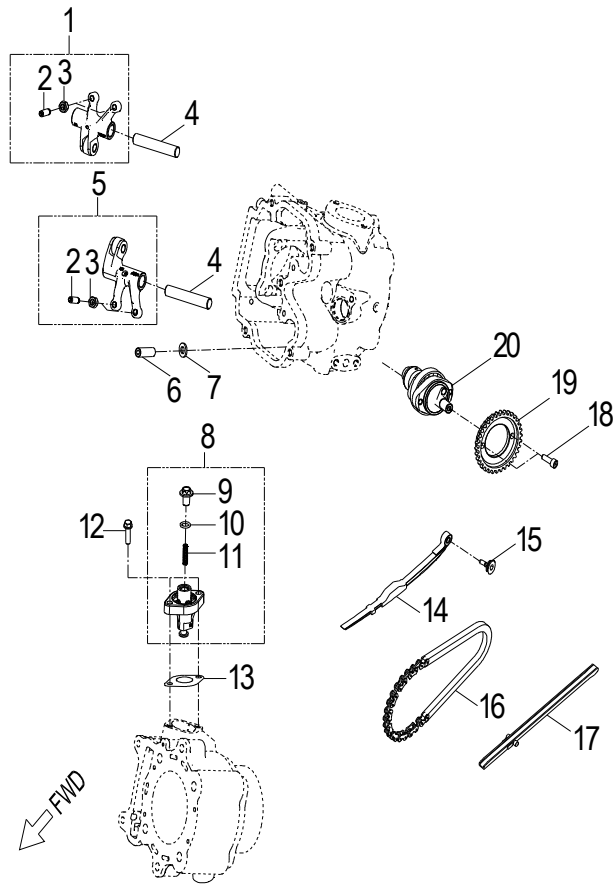
<b>Vehicle Color:</b>	<b>Color code:</b>
<b>RAW BLACK</b>	<b>(-)131</b>
<b>SNOW WHITE</b>	<b>(-)243</b>
<b>SWISS RED</b>	<b>(-)358</b>
<b>TITANIUM GRAY</b>	<b>(-)850</b>

## D-1: CYLINDER HEAD



ITEM	DESCRIPTION	P/N	Q'TY	Note
1	Bolt	QS00006025808C	7	M6*P1.0*25L
2	Bolt	QS00006030808C	1	M6*P1.0*30L
3	Washer	QS101061201000U	3	φ6.5*φ12*t1
4	Asm., Head Cover	QS1231069T0	1	
5	Gasket , Head Cover	QS39169S000	1	
6	Nut	QS0220600000C	2	
7	Stud	QS00106115800C	2	
8	Bearing, Ball	QS1006002000000	1	
9	Pin, Dowell	QS47569S000	2	
10	Seat, Valve, Spring, Outer	QS77569S000	8	
11	Seal, Valve	QS20962B000	4	
12	Clip, Retainer	QS78169S000	8	
13	Spring, Valve, Outer	QS75169S000	4	
14	Retainer, Valve, Spring	QS77169S000	4	
15	Pin, Dowel	QS30108080	4	
16	Cover, Head , RH	QS33169S000	1	
17	O-Ring	QS21600725	1	
18	Bolt	QS00006020808C	1	M6*P1.0*20L
19	Gasket, Cam Cover	QS33269S000	1	
20	Bearing, Ball	QS10060000Z00C3	1	
21	Bolt	QS00006012808C	1	M6*P1.0*12L
22	Plug, Spark	QS9807650N000	1	
23	O-Ring	QS21004320	1	
24	Insulator, Cylinder head	QS11269S000	1	
25	O-Ring	QS21004330	1	
26	Asm., Manifold, Intake	QS1710069N000	1	
27	Strap	QS52004064	2	
28	Adapter, Carburetor	QS14636I000	1	
29	Nut	QS0500600000C	2	M6*P1.0
30	Stud	QS00106040800C	2	M6*P1.0*40L
31	Bracket, Brake Switch	QS465202000	1	
32	Valve, Intake	QS71169S000	2	
33	Valve, Exhaust	QS72169S000	2	
34	Cylinder Head Comp	QS1220769E0	1	
35	Stud	QS001080468C	2	
36	Gasket Set	QS1225069S001	1	
37	Cylinder	QS10069S000	1	
38	Bolt	QS00006030808C	2	M6*P1.0*30L
39	Gasket, Cylinder	QS19169S000	1	
40	Pin, Dowel	QS30110140	2	φ10*14L

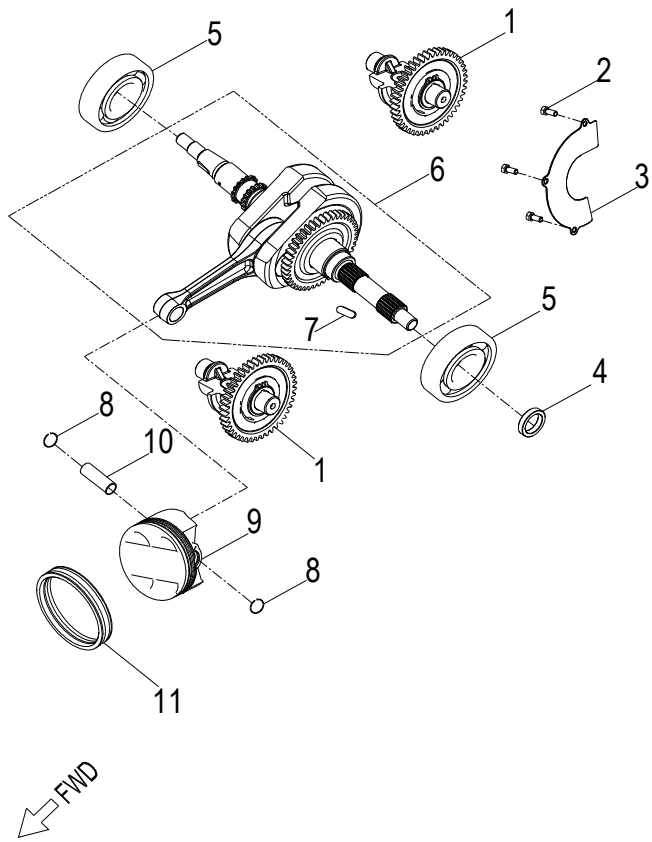
## D-2: VALVE CAM



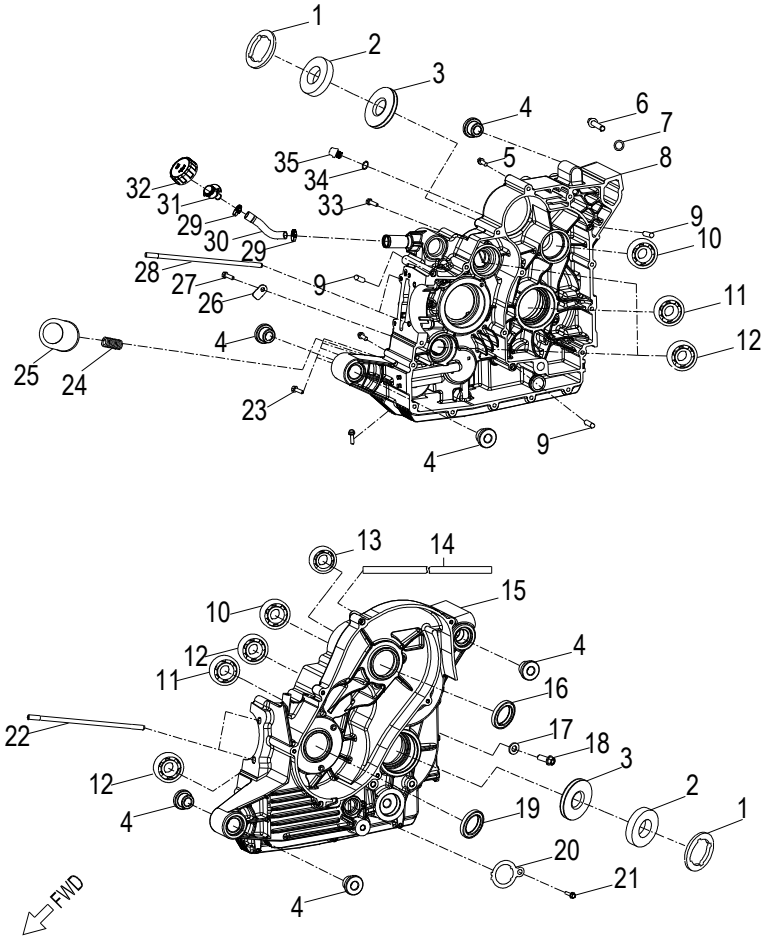
ITEM	DESCRIPTION	P/N	Q'TY	Note
1	Arm Comp,Valve Rocker Intake	QS43069F000	1	
2	Nut,Tappet Adjusting	QS433140000	4	
3	Screw,Tappet Adjusting	QS432140000	4	
4	Shaft,Valve Rocker Arm	QS45169S000	2	
5	Arm Comp,Valve Rocker Exhaust	QS44069F000	1	
6	Nut, Head	QS21869S001	4	
7	Washer	QS108081603000B	4	
8	Tensioner	QS52150N000	1	
9	Adjust Plug	QS55250N000	1	
10	O-Ring	QS21000919	1	9*1.9
11	Tensioner Lifter Spring	QS55350N000	1	
12	Bolt	QS00006022814C	2	M6*P1.0*22L
13	Gasket, Tensioner	QS523119002	1	
14	Guide, Cam Chain, RH	QS55069D000	1	
15	Pivot, Guide	QS53550A000	1	
16	Chain, Cam	QS40169D000	1	
17	Guide, Cam Chain, LH	QS50069D000	1	
18	Bolt	QS0000601280CL	2	
19	Sprocket, Camshaft	QS10869S000	1	
20	Asm., Cam Shaft	QS1440069N0	1	

# D-3:PISTON , CRANKSHAFT

ITEM	DESCRIPTION	P/N	Q'TY	Note
1	Shaft, Balancer	QS42069D00002	2	
2	Bolt	QS00005012800C	3	M5*P0.8*12L
3	Separator, balance	QS42969D00001	1	
4	Bush, left crankshaft	QS32269D00000	1	
5	Bearing, Ball	QS100TMB307CS19	2	TMB307CS19-1
6	Asm., Crankshaft	QS00069D00001	1	
7	Key, Woodruff	QS47125404	1	
8	Clip, Piston Pin	QS11550A000	2	
9	Piston	QS1310069E0	1	
10	Pin, Piston	QS11169S000	1	
11	Ring Set, Piston	QS01169S000	1	

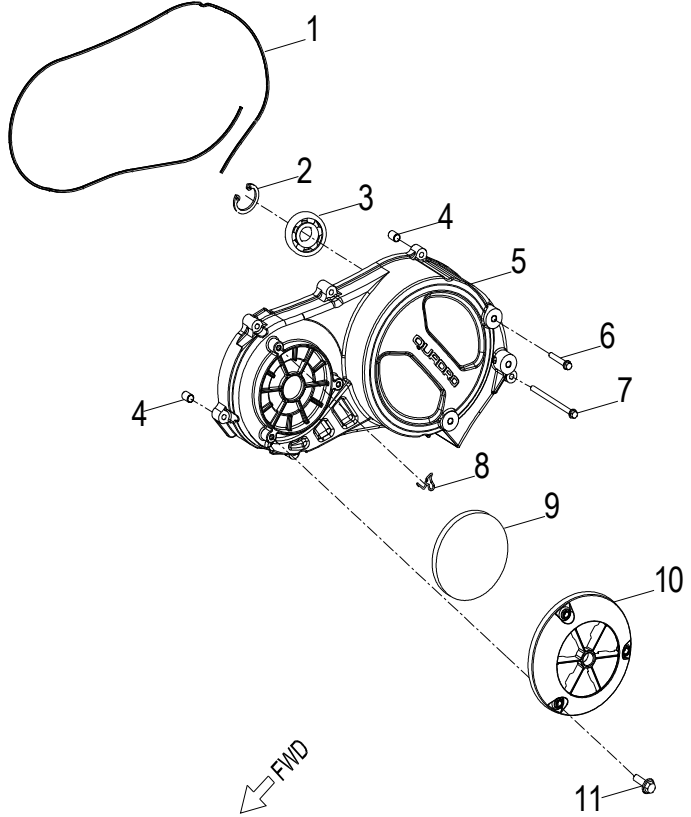


## D-4:CRANKCASE



ITEM	DESCRIPTION	P/N	Q'TY	Note
1	Nut	QS204740000C	2	
2	Bearing, Ball	QS10062070LLUC3	2	
3	Seal, Oil	QS500355708A7271	2	
4	Bush, Rubber	QS20969D00000	6	
5	Bolt	QS00006085808C	11	
6	Bolt	QS00008012812C	1	
7	Washer	QS101081602000L	1	
8	Asm., Crankcase, RH	QS10069D00001	1	
9	Pin, Dowel	QS301110140	3	φ10*14L
10	Bearing, Ball	QS1006205000000	2	
11	Bearing, Ball	QS1006207000000	2	
12	Bearing, Ball	QS1006304000000	4	
13	Bearing, Ball	QS1006302800000	1	
14	Hose	QS9440809013470	1	
15	Left Crankcase Comp	QS20069D00001	1	
16	Seal, Oil	QS504284807FKM	1	
17	Washer	QS101122132000L	1	φ12.1*φ21.3*t2
18	Bolt	QS00312015817C	1	M12*P1.25*15L
19	Seal, Oil	QS504304807FKM	1	
20	Window, plate	QS1133380D000	1	
21	Bolt	QS00006012800B	1	
22	Stud	QS00108188800B	2	
23	Bolt	QS00006105808C	4	
24	Bolt, Oil Filter	QS10539A000	1	
25	Filter, Oil	QS1550039A0	1	
26	Stop Plate	QS41262U000	1	
27	Bolt	QS00006012808C	1	M6*P1.0*12L
28	Stud	QS00108181800B	2	
29	Strap	QS52002040	2	
30	Oil filling hose	QS12100100000	1	
31	Neck, Filler	QS20420300000	1	
32	Cap, Engine Oil	QS105202000	1	
33	Bolt	QS00006070808C	1	
34	O-Ring	QS21201425	1	
35	Plug, Oil	QS650111001	1	

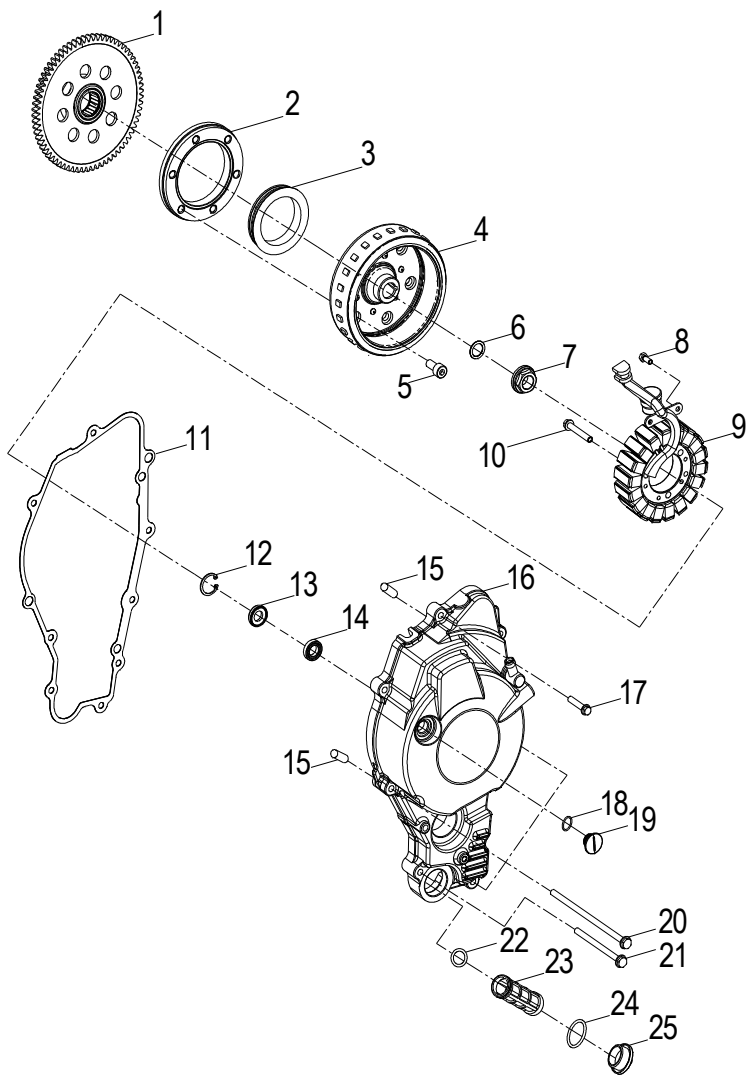
D-5:CRANKCASE COVER,LH



ITEM	DESCRIPTION	P/N	Q'TY	Note
1	Seal	QS39269D00000	1	
2	Clip, Cir	QS5124200R	1	
3	Bearing, Ball	QS10060040LLU00	1	6004LLU
4	Pin, Dowel	QS30110140	2	φ10*14L
5	Cover, Clutch	QS34169D85003	1	
6	Bolt	QS00006040808C	6	M6*P1.0*40L
7	Bolt	QS00006100808C	1	
8	Cable Fastener	QS45869D000	1	
9	Filter, Cooling Fan	QS25269D00001	1	
10	Guard, Clutch Cover	QS34269D00000	1	
11	Bolt	QS00006016810K	3	M6*P1.0*16L



## D-6:CRANKCASE COVER ,RH



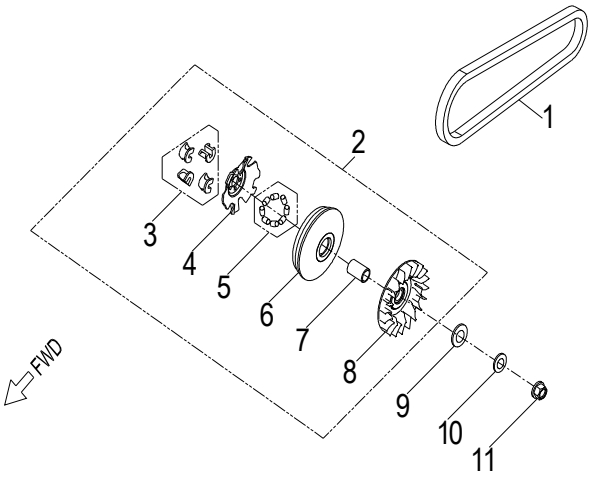
ITEM	DESCRIPTION	P/N	Q'TY	Note
1	Gear, Starter	QS22069D00001	1	
2	Outer, One Way	QS12169D00100	1	
3	Asm., Rollor, One Way	QS13069D00100	1	
4	Flywheel	QS311069D0000	1	
5	Bolt	QS00008018800C	6	
6	Washer	QS101142602000C	1	φ14.2*φ26*t2
7	Nut	QS0501402100C	1	
8	Bolt	QS00005012800C	2	M5*P0.8*12L
9	Stator	QS3112069D0000	1	
10	Bolt	QS00006030808C	3	M6*P1.0*30L
11	Gasket, Crankcase, RH	QS39369D00002	1	
12	Clip, Cir	QS5122200R	1	
13	Seal, Oil	QS500122205FKM	1	
14	Bearing, Ball	QS1006801000000	1	
15	Pin, Dowel	QS30110140	2	φ10*14L
16	Crankcase Cover, Rh	QS33569D85001	1	
17	Bolt	QS00006030808C	5	M6*P1.0*30L
18	O-Ring	QS21201425	1	
19	Cap	QS014095000000	1	M14
20	Bolt	QS00006140808C	3	
21	Bolt	QS00006040808C	1	M6*P1.0*40L
22	O-Ring	QS21202020	1	
23	Screen	QS42169D000000	1	
24	O-Ring	QS21203132	1	
25	Plug, Drain, Oil	QS334119000	1	





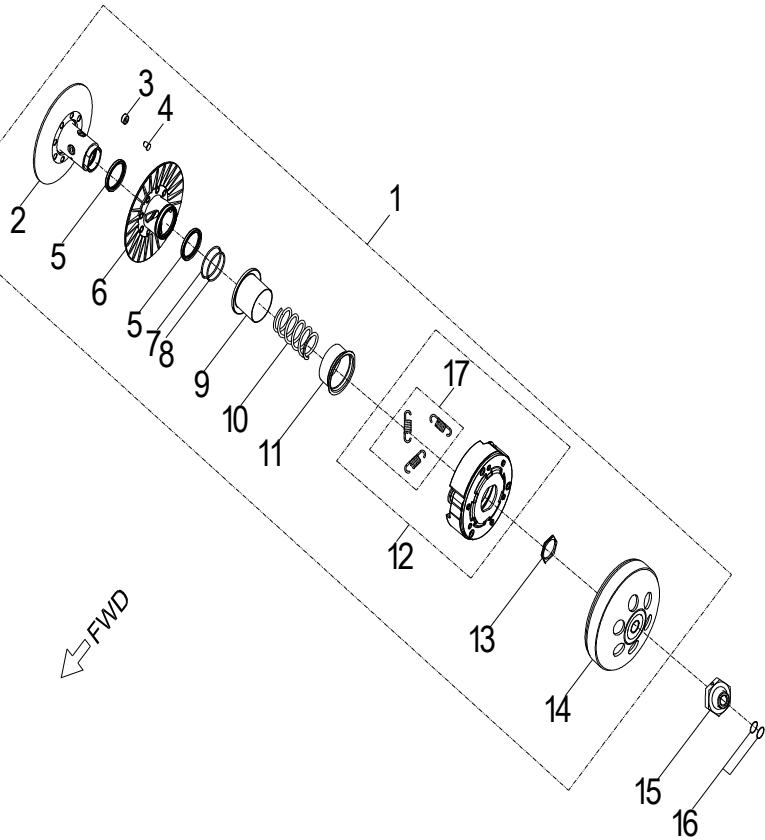
### D-7:DRIVE CLUTCH

ITEM	DESCRIPTION	P/N	Q'TY	Note
1	Belt, Driven	QS10069D00000	1	
2	Asm., Sliding	QS10369D00001	1	
3	Bushing, Slider	QS13369D000	1	
4	Plate, Sheave	QS13169D000	1	
5	Roller	QS12069D000	1	
6	Wheel, Slot, Sliding, Primary	QS11069D000	1	
7	Bushing, Sheave	QS10669D000	1	
8	Sheave, moveable	QS10269D000	1	
9	Washer	QS101143003000G	1	
10	Washer	QS1211428015000	1	
11	Nut	QS0501402100C	1	



### D-8:DRIVEN CLUTCH

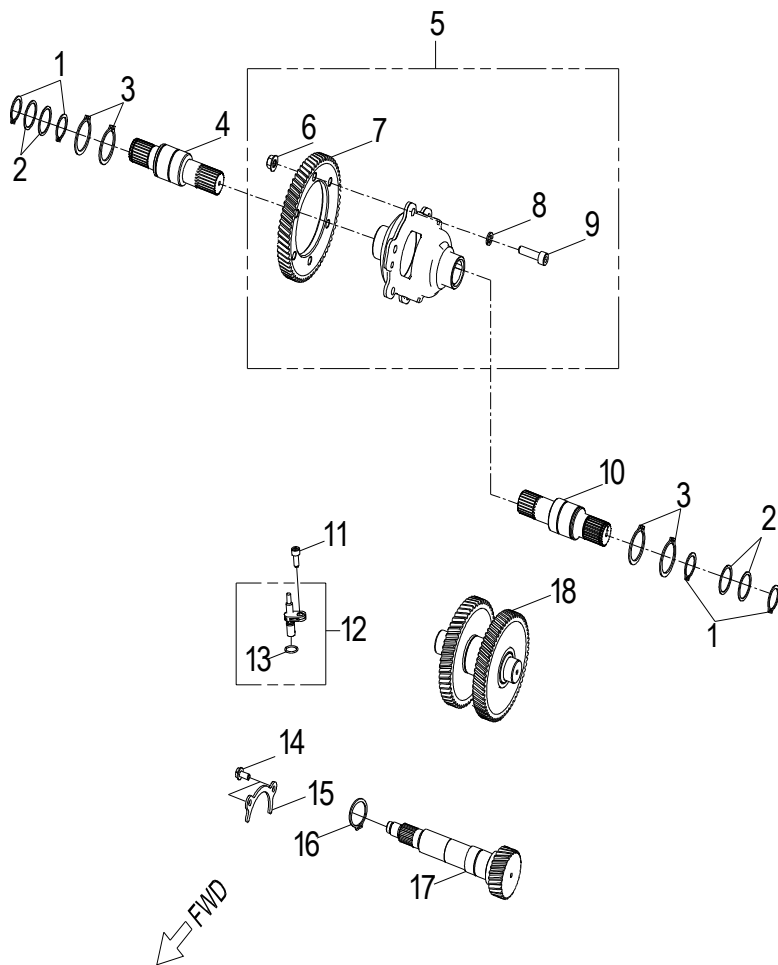
ITEM	DESCRIPTION	P/N	Q'TY	Note
1	Asm., Driven Clutch	QS2200069D00001	1	
2	Sheave, Driven	QS20069D000	1	
3	Roller, Guide	QS22669D000	4	
4	Pin, Guide	QS22569D000	4	
5	Seal, Oil	QS96500505705NBR	2	
6	Sheave, Moveable	QS22069D000	1	
7	O-Ring	QS21405925	1	
8	O-Ring	QS21405620	1	
9	Seal, Collor	QS23769D000	1	
10	Spring, Clutch	QS23369D000	1	
11	Seal, Collor	QS23969D000	1	
12	Asm., Clutch Shoes	QS00169D000	1	
13	Nut	QS0014400055C	1	
14	Clutch, Outer	QS10069D000	1	
15	Nut, Driven	QS10569D00000	1	
16	O-Ring	QS21001812	2	
17	Spring, Clutch shoes	QS2240069D000	1	





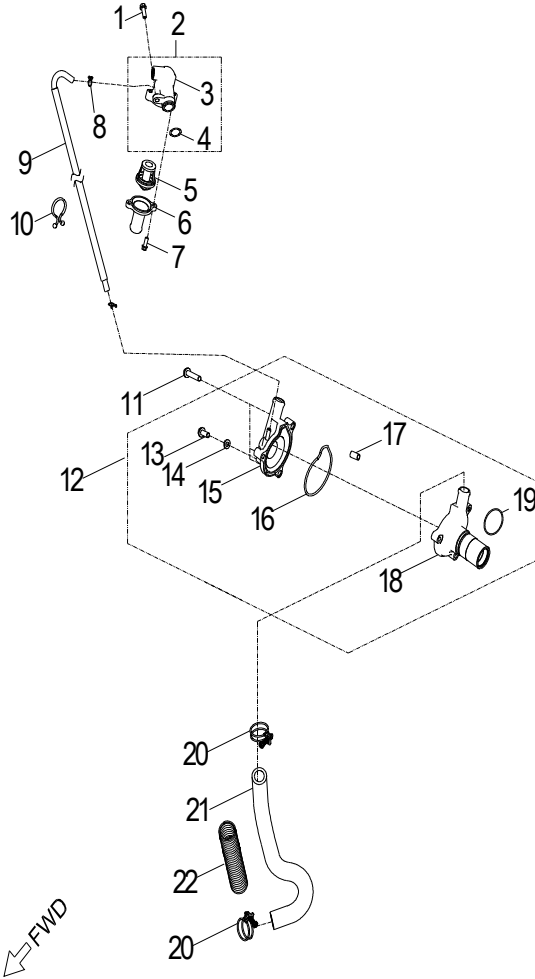


## D-11: TRANSMISSION



ITEM	DESCRIPTION	P/N	Q'TY	Note
1	Clip, Cir	QS5112400S	4	
2	Washer	QS101263101000C	4	
3	Clip, Cir	QS5113500S	4	
4	Pinion, Output, RH	QS45412D00000	1	
5	Asm., Differential	QS21370202000	1	
6	Nut	QS0500800000C	6	M8*P1.25
7	Gear, Output	QS43269D00001	1	
8	Washer, Spring	QS111080150200C	6	
9	Bolt	QS910000803080KL	6	
10	Pinion, Output, LH	QS45312D00000	1	
11	Bolt	QS00006014800C	1	
12	Sensor Comp, Speed	QS21036N00000	1	
13	O-Ring	QS21001415	1	
14	Bolt	QS00006012808C	2	M6*P1.0*12L
15	Stopper, Bearing, Front A Arm	QS9320200000	1	
16	Clip, Cir	QS5112800S	1	
17	Shaft, Drive	QS41169D00001	1	
18	Asm., Shaft, Counter	QS42069D00001	1	

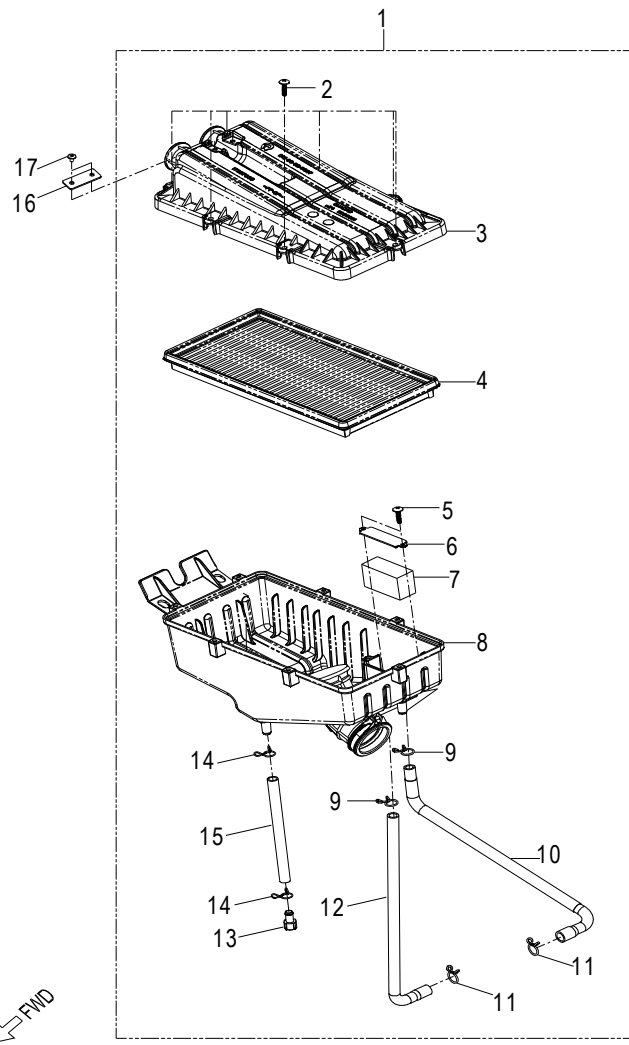
## D-12: WATER PUMP



ITEM	DESCRIPTION	P/N	Q'TY	Note
1	Bolt	QS00006018808C	1	M6*P1.0*18L
2	Sensor, Thermosatic	QS31069N000	1	
3	Housing, Thermosatic	QS31169N000	1	
4	O-Ring	QS21201719	1	
5	Bimetal, Thermosatic	QS30062U001	1	
6	Flange, Thermosatic	QS31550N000	1	
7	Bolt	QS00005016800C	2	M5*P0.8*16L
8	Clamp	QS9451507A06	2	
9	Hose, Bypass, Thermosatic	QS50550T000	1	
10	Bolt	QS00006085808C	1	
11	Bolt	QS00006040808C	2	M6*P1.0*40L
12	Asm., Water Pump	QS21069D00002	1	
13	Bolt	QS00006012808C	1	M6*P1.0*12L
14	Washer	QS101061201000U	1	$\phi 6.5 * \phi 12 * t1$
15	Flange, Water Pump	QS22162U000	1	
16	Gasket	QS22950A000	1	
17	Pin, Dowel	QS30108140	2	8*14
18	Body, Water Pump	QS21169D000	1	
19	O-Ring	QS21002920	1	29*2.0
20	Clamp	QS22250A000	2	
21	Hose	QS50269D00000	1	
22	Spring, Coolant Hose	QS50762U000	1	



### D-14: AIR CLEANER

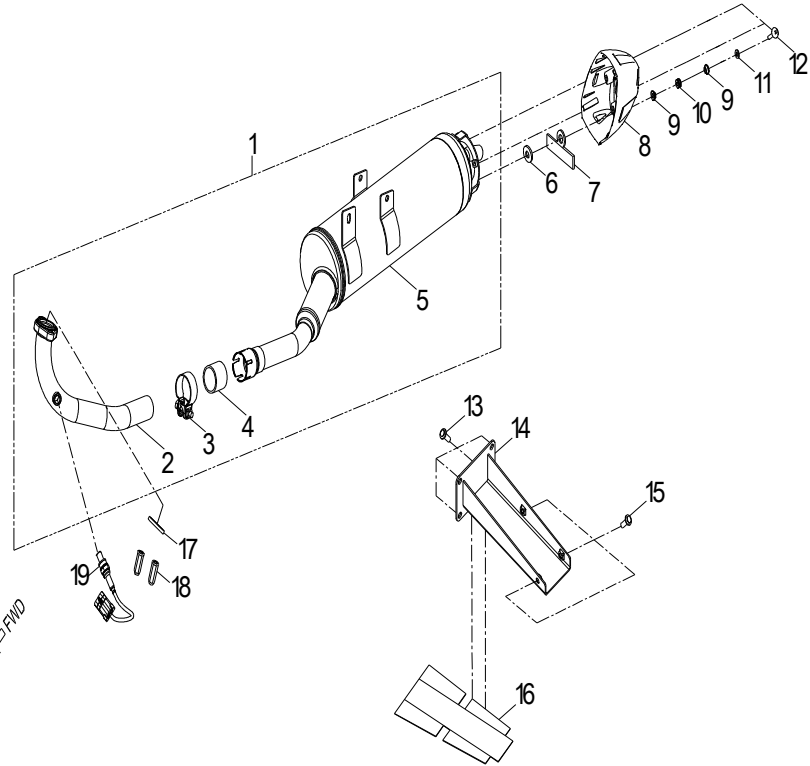


ITEM	DESCRIPTION	P/N	Q'TY	Note
1	Asm., Cleaner, Air	QS200S3500001	1	
2	Screw	QS903105020800K	9	M5*20L
3	Cover, Air Cleaner ass'y	QS217S35000	1	
4	Filter, Air Cleaner	QS205S35000	1	
5	Screw	QS903105020800K	2	M5*20L
6	sponge fixing plate	QS384S35000	1	
7	Filter, Oil Separator	QS388S35000	1	
8	Housing, Air Cleaner	QS218S35000	1	
9	Clip	QS51013000	2	
10	Tube, Breather, Ventilated	QS381S35000	1	
11	Clip	QS51014018	2	14*1.8
12	Tube, Breather, Ventilated	QS381229000	1	
13	Plug, Trap	QS370201000	1	
14	Clip	QS51012012	2	12*1.2
15	Hose, Drain	QS40408012160	1	
16	Filling tube fixing plate	QS468S3500000	1	
17	Screw	QS903105014800K	2	

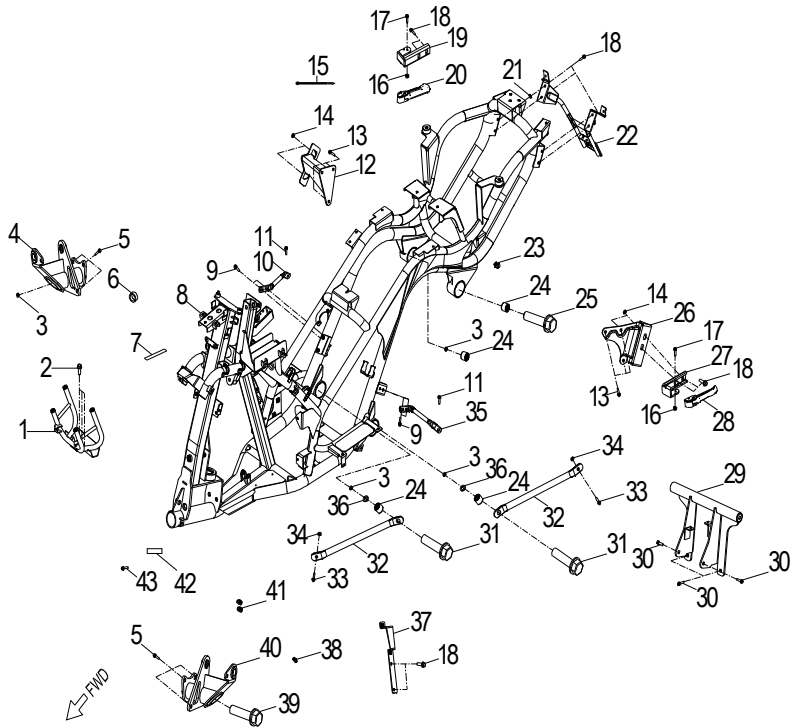


### D-15: EXHAUST PIPE

ITEM	DESCRIPTION	P/N	Q'TY	Note
1	Asm., Exhaust Pipe	QS300S3500001	1	
2	Pipe, Exhaust, Front	QS299S35000	1	
3	Clamp, Exhaust Pipe	QS18322202	1	
4	Collar	QS321205000	1	
5	Silencer	QS298S35000	1	
6	Gasket	QS1020625300	3	
7	Insulator, Silencer	QS183202040	3	
8	Shield, Silencer	QS31151T131	1	
9	Washer	QS071900500B	6	
10	Grommet	QS16129208000	3	
11	Washer	QS1060617002000	3	
12	Bolt	QS003060308SUL	3	
13	Bolt	QS0171002280BL	4	
14	Muffler support	QS302203000	1	
15	Bolt	QS0000801680KL	3	M8*P1.25*16L
16	Insulator, Silencer	QS32020800000	1	
17	Gasket	QS291S38000	1	
18	Nut	QS3010800000C	2	M8*P1.25
19	Sensor, O <sub>2</sub>	QS1833022R001	1	



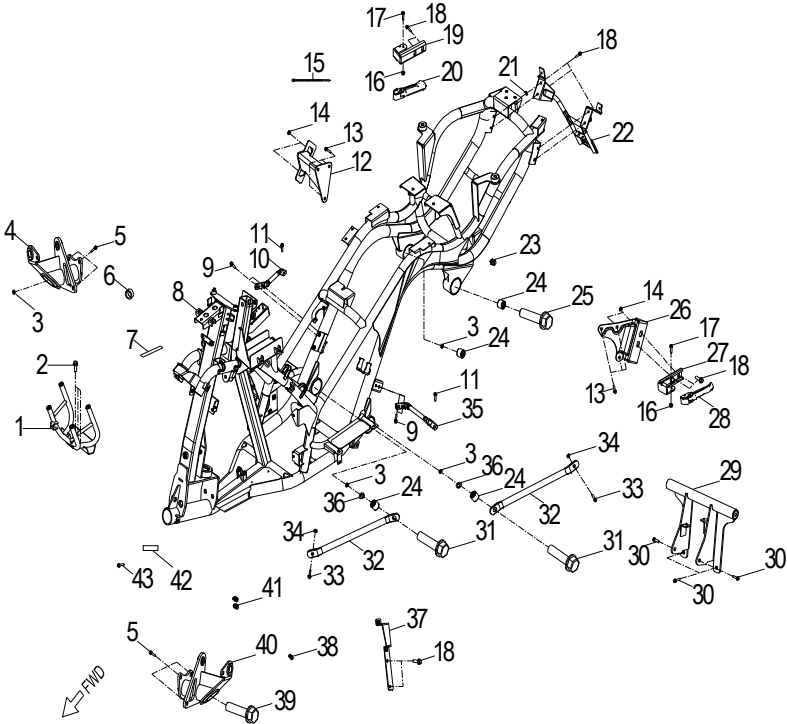
## D-16:FRAME BODY



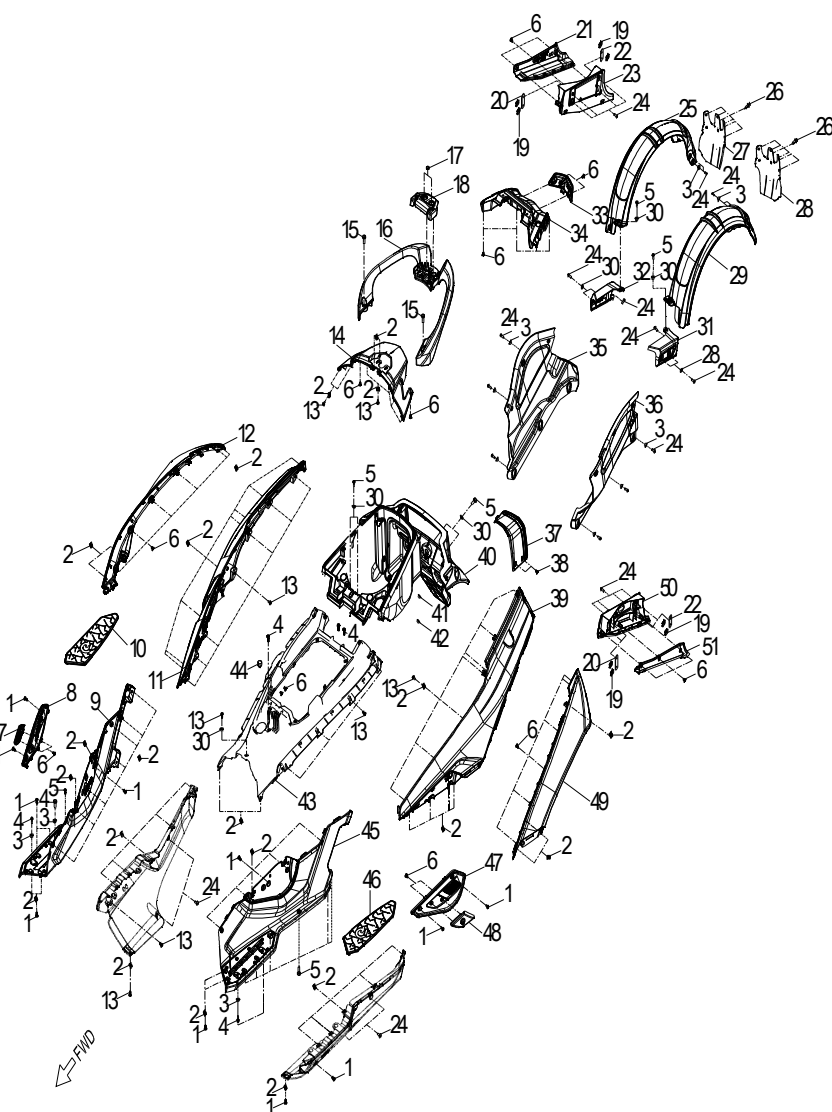
ITEM	DESCRIPTION	P/N	Q'TY	Note
1	Bracked, Screen	QS324S38000	1	
2	Bolt	QS0000601480KL	3	M6*P1.0*14L
3	Nut	QS3501400000C	4	M14*P1.5
4	Pivot swingarm, RH	QS552S35000	1	
5	Bolt	QS0031003080BL	6	
6	Rubber Tube	QS813201000	1	
7	Trim, Rubber	QS811203000	3	
8	Asm., Frame	QS100S35067	1	
9	Bolt	QS00006020810K	4	M6*P1.0*20L
10	Bracket, Rear Fender, RH	QS141207000	1	
11	Bolt	QS00008020800K	4	M8*P1.25*20L
12	Iron Supporter(Right)	QS109201000	1	
13	Bolt	QS00008025800K	6	M8*P1.25*25L
14	Nut	QS0500800000K	4	
15	Strap	QS569131000	1	
16	Nut	QS0500600000C	2	M6*P1.0
17	Bolt	QS00006035800K	2	
18	Bolt	QS00006014810K	10	M6*P1.0*14L
19	Bracket (R)	QS191001000	1	
20	Footpeg, RH	QS56062U000	1	
21	Nut	QS0500600000K	8	M6*P1.0
22	License Bracket	QS116202000	1	
23	Strap, Oil Hose	QS89753210	2	
24	Bushing	QS400145050	4	
25	Bolt	QS00014331819C	1	
26	Iron Supporter(Left)	QS019201000	1	
27	Bracket (L)	QS195001000	1	
28	Footpet, LH	QS55062U000	1	
29	Mount, Engine, Rear	QS350S35000	1	
30	Bolt	QS0171003080BL	4	
31	Bolt	QS00014125819K	2	
32	Boot	QS307S3500000	2	
33	Bolt	QS0000802280KL	2	M8*P1.25*22L
34	Nut	QS3550800014K	2	
35	Bracket, Rear Fender, LH	QS142207000	1	
36	Washer	QS101144303000C	3	φ14.1*φ43*t3
37	TANK RESERVE BRACKET	QS10620200000	1	
38	Nut-U, M6	QS6112120100B	17	
39	Bolt	QS00014382822C	1	
40	Pivot swingarm, LH	QS551S35000	1	

D-16:FRAME BODY

ITEM	DESCRIPTION	P/N	Q'TY	Note
41	Spacer	QS317S3500000	2	
42	Trim, Rubber	QS81121300000	1	
43	Bolt	QS00006012810K	12	M6*P1.0*12L



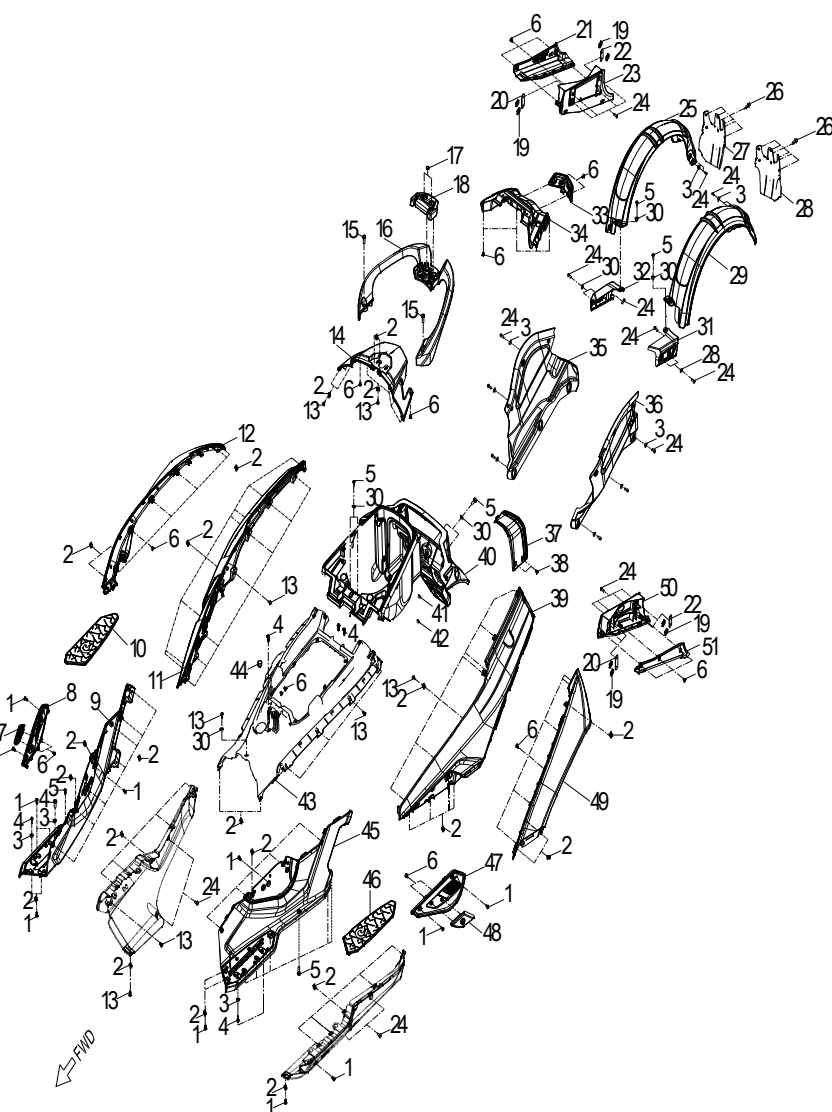
## D-17:SIDE COVER



ITEM	DESCRIPTION	P/N	Q'TY	Note
1	Bolt	QS00905016800K	35	M5*P0.8*16L W/Washer
2	Nut-U	QS12120300B	50	
3	Washer	QS150071707500K	22	φ6.5*φ17.5*t7.5
4	Bolt	QS00706020800K	7	
5	Bolt	QS00006016810K	6	M6*P1.0*16L
6	Screw	QS903105014800K	30	
7	Esthetic cover, RH	QS531S3580100	1	
8	Footwell, Removeable, RH	QS306S3500000	1	
9	Footwell, RH	QS300S3500000	1	
10	Floorboard, RH	QS315S3500000	1	
11	Panel, Side, RH	RAW BLACK SNOW WHITE SWISS RED TITANIUM GRAY	1	
12	Lower side pane, RH	QS529S3500001	1	
13	Bolt	QS00905012800K	22	M5*P0.8*12L W/Washer
14	Visor, Taillight	RAW BLACK SNOW WHITE SWISS RED TITANIUM GRAY	1	
15	Bolt	QS00008028800K	3	M8*P1.25*28
16	Sissy Bar	QS105S3511200	1	
17	Cap, Plastic	QS15120400000	4	
18	Cover, Rear handle rack	QS338S3500000	1	
19	Nut-U, M6	QS6112120100B	10	
20	Bracket-Rear Fender	QS14320500000	2	
21	Lower belt cover RH	QS535S3500000	1	
22	Bracket-Rear Fender	QS14320600000	2	
23	Main belt cover RH	QS533S3500000	1	
24	Bolt	QS910030601680	36	
25	Rear fender (R)	QS858S3500000	1	
26	Rivet, Plastic	QS120204000	12	
27	Rubber Mudguard, Fender	QS11521000000	1	
28	Rubber Mudguard, Fender	QS11521100000	1	
29	Rear fender (L)	QS855S3500000	1	
30	Washer	QS150071705000K	16	φ7.1*φ17*t5
31	Cover swingarm LH	QS498S3500000	1	
32	Cover swingarm RH	QS499S3500000	1	
33	Upper tail	QS368S3500000	1	
34	Visor, Taillight	QS706S3500001	1	

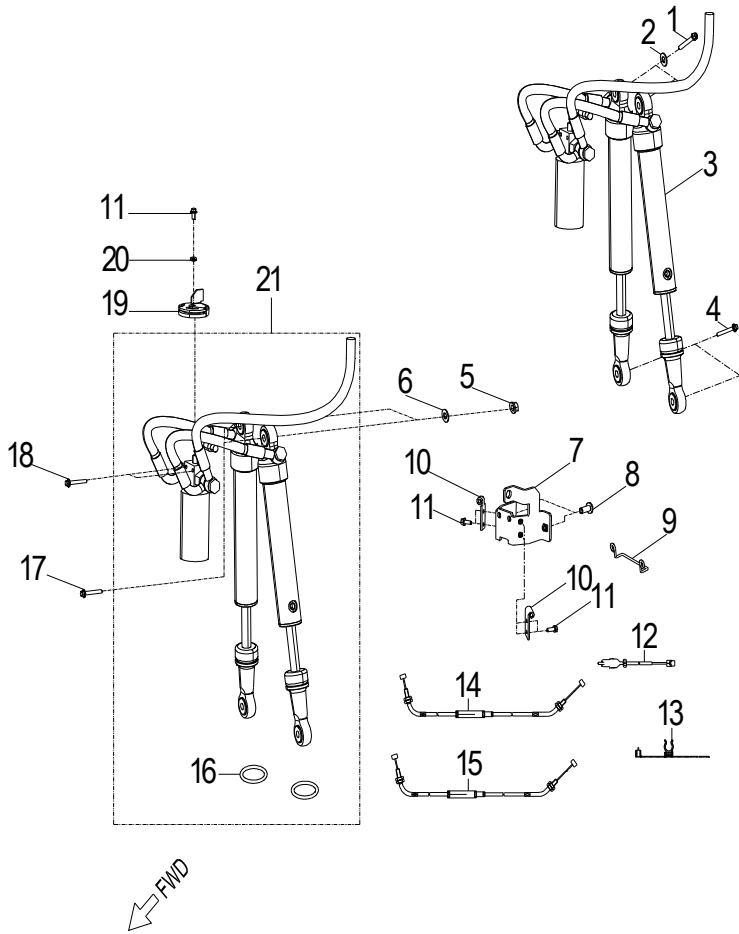


### D-17:SIDE COVER



ITEM	DESCRIPTION	P/N	Q'TY	Note
35	Bracket, Fuel Tank	QS17643S35000	1	
36	Bracket, Fuel Tank	QS17653S35000	1	
37	Cover, Battery	QS31504S380	1	
38	Screw	QS903104012800K	2	M4*12L
39	Panel, Side, LH	RAW BLACK SNOW WHITE SWISS RED TITANIUM GRAY	1	
40	License Plate	QS708S3500000	1	
41	Nut	QS3500500000K	1	M5*P0.8
42	Nut	QS3500600000K	1	M6*P1.0
43	Center Cover	QS340S3500001	1	
44	Rubber, Seat	QS64320203	1	
45	Footwell, LH	QS310S3500000	1	
46	Floorboard, LH	QS316S3500000	1	
47	Footwell, Removeable, LH	QS326S3500000	1	
48	Esthetic cover, LH	QS631S3580100	1	
49	Lower side pane, LH	QS629S3500001	1	
50	Main belt cover LH	QS534S3500000	1	
51	Lower belt cover LH	QS536S3500000	1	

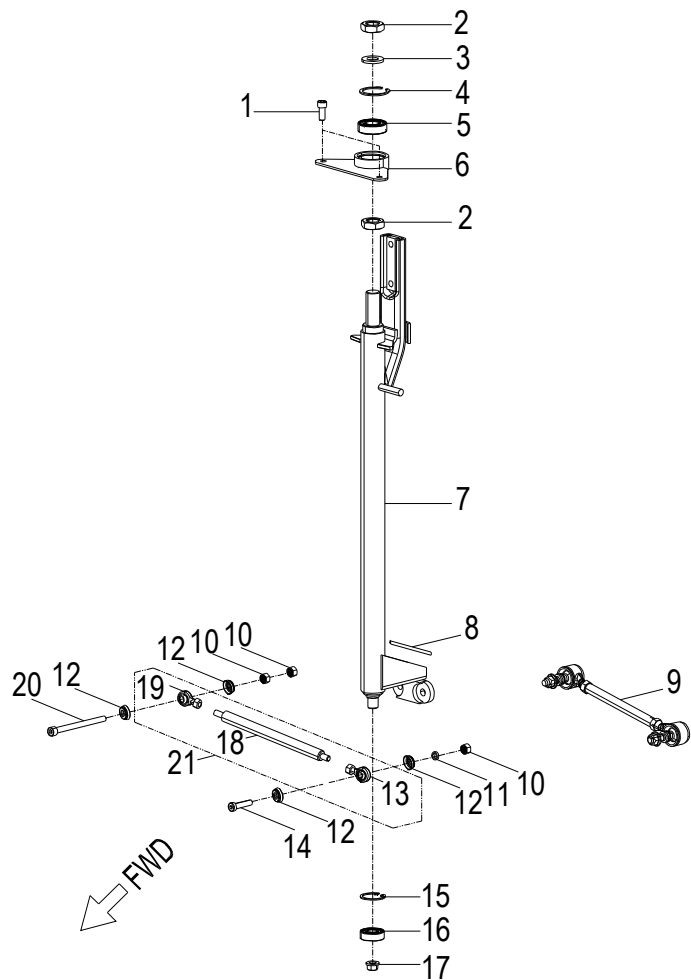
## D-18: SUSPENSION



ITEM	DESCRIPTION	P/N	Q"TY	Note
1	Bolt	QS0031005080KL	2	
2	Washer	QS941011030020K	2	$\phi 10.1 \times \phi 30 \times t2$
3	Asm., Suspension, Rear	QS400S3500000	1	
4	HTS bolt	QS502S35001	2	
5	Nut	QS3501000000C	2	M10*P1.25
6	Washer	QS101102202000K	2	$\phi 10.1 \times \phi 22 \times t2$
7	Bracket, HTS	QS096S38000	1	
8	Bolt	QS00006020810K	2	M6*P1.0*20L
9	Hook, Oil Hose, Parking Brake	QS475S38000	1	
10	Bracket, Pump, Parking Brake	QS099S38000	2	
11	Bolt	QS00005012800K	5	M5*P0.8*12L
12	Switch, HTS lock	QS926201000	1	
13	Strap, Oil Hose	QS753206000	1	
14	Cable, Pump, Parking Brake(BLUE)	QS933201000	1	
15	Cable, Pump, Parking Brake(BLACK)	QS933S38000	1	
16	O-Ring	QS21003830	2	38*3
17	Bolt	QS0001004080KL	2	M10*P1.25*40L
18	Bolt	QS00005035800K	2	M5*P0.8*35L
19	Command Wheel, Pump, Parking Brake	QS145S38001	1	
20	Washer	QS101051901000K	1	$\phi 5.1 \times \phi 19 \times t1$
21	Asm., HTS	QS090S35000	1	

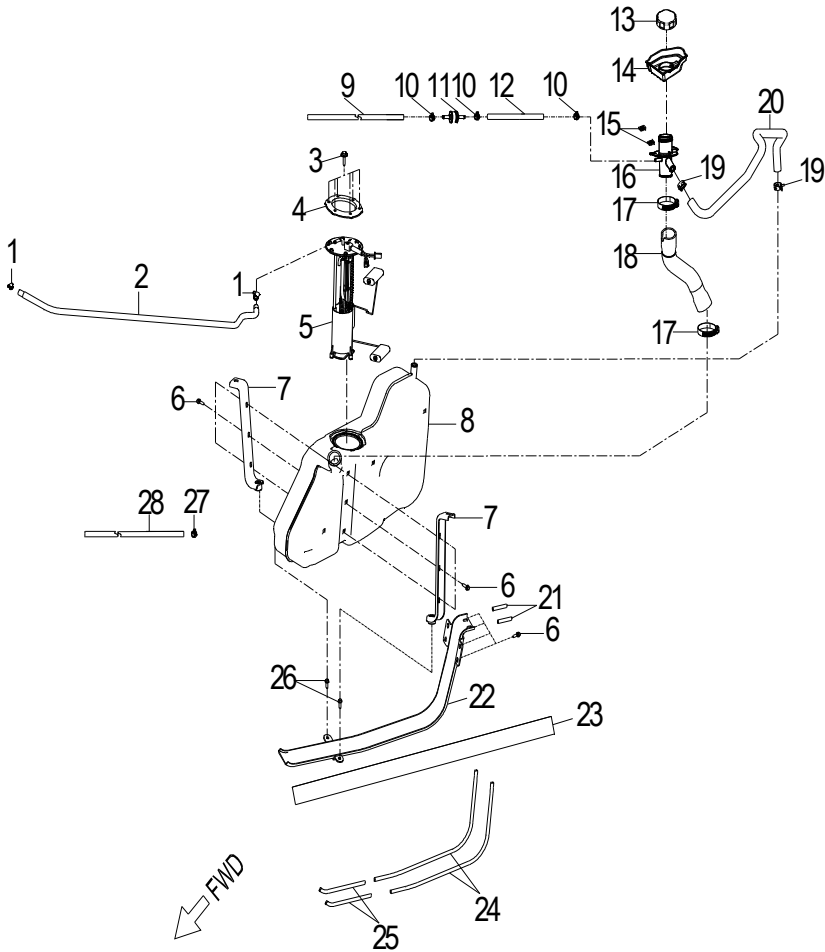


# D-19:STEERING



ITEM	DESCRIPTION	P/N	Q'TY	Note
1	Bolt	QS0000802080KL	2	M8*P1.25*20
2	Nut	QS0012001030B	2	
3	Washer	QS108202804500B	1	
4	Clip, Cir	QS5124200R	1	
5	Bearing, Ball	QS10060040LLU00	1	6004LLU
6	Flangette	QS111S38000	1	
7	Shaft, Steering	QS107S38001	1	
8	Trim, Rubber	QS50811204000	2	
9	Asm., Tie Rod (steering)	QS410S38000	2	
10	Nut	QS3500800000K	3	M8*P1.25
11	Washer	QS101091203000B	2	8.5*12*3.0
12	Dustproof Cap	QS148S38000	8	
13	Rod end (LH)	QS53424S38	2	
14	Bolt	QS00008045800K	2	M8*P1.25*45
15	Clip, Cir	QS5123500R	1	
16	Bearing, Ball	QS10062020LLU00	1	6202LLU
17	Nut	QS0501200000C	1	M12*P1.25
18	Tie Rod	QS411S38000	2	
19	Rod end (RH)	QS53423S38	2	
20	Bolt	QS00008095800K	1	
21	Asm., Tie Rod	QS53411210	2	

## D-20:FUEL TANK



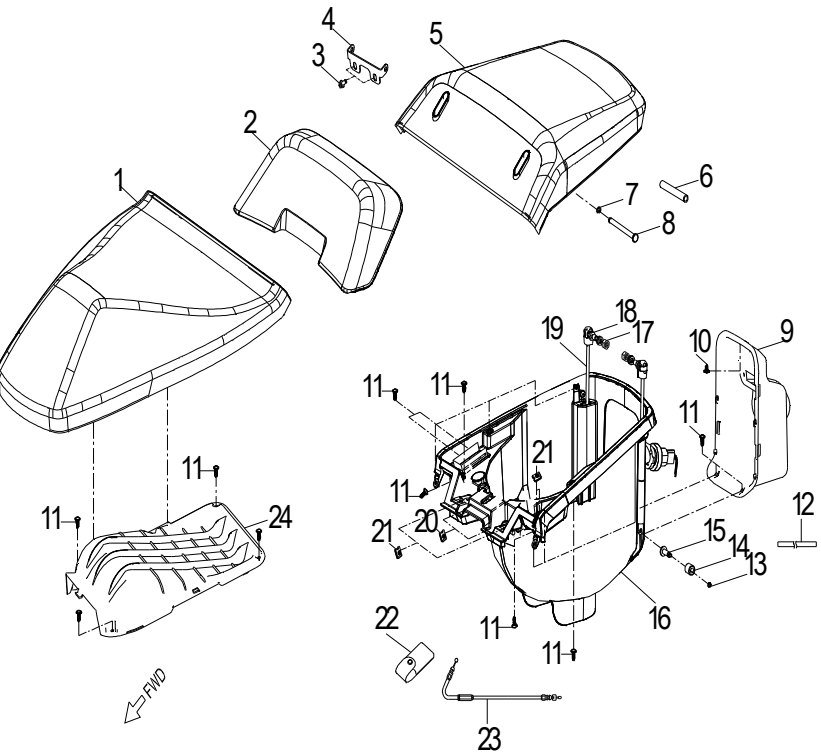
ITEM	DESCRIPTION	P/N	Q'TY	Note
1	Strap	QS52000812	2	
2	Fuel Hose	QS52321700100	1	
3	Bolt	QS01205012808K	6	
4	Foam	QS1750262B0	1	
5	Fuel Pump	QS520S3500000	1	
6	Bolt	QS00006012810K	10	M6*P1.0*12L
7	Fuel tank support (A)	QS514001000	2	
8	Asm., Tank, Fuel	QS17500S35001	1	
9	Fuel hose	QS40105009040	1	
10	Clamp	QS9451509507	3	
11	Sensor, Anti-Fall	QS16320100000	1	
12	Fuel hose	QS41505009160	1	
13	Cap, Fuel	QS623S35000	1	
14	Fuel tank recovery	QS544S3500000	1	
15	Nut-U	QS12120300B	2	
16	Filler neck	QS543S3500000	1	
17	Strap	QS52003250	2	
18	Fuel Hose, Discharge	QS53226300001	1	
19	Clip	QS9451019009	2	
20	Fuel Hose, Discharge	QS53226400000	1	
21	Trim, Rubber	QS81121300000	2	
22	Fuel tank support (B)	QS514002000	1	
23	Insulator, Silencer	QS32020900000	1	
24	Trim, Rubber	QS81121500000	2	
25	Trim, Rubber	QS81121400000	2	
26	Bolt	QS960000601680KL	2	M6*P1.0*16L
27	Clamp	QS51512008	1	12*8
28	Fuel hose	QS402070121070	1	



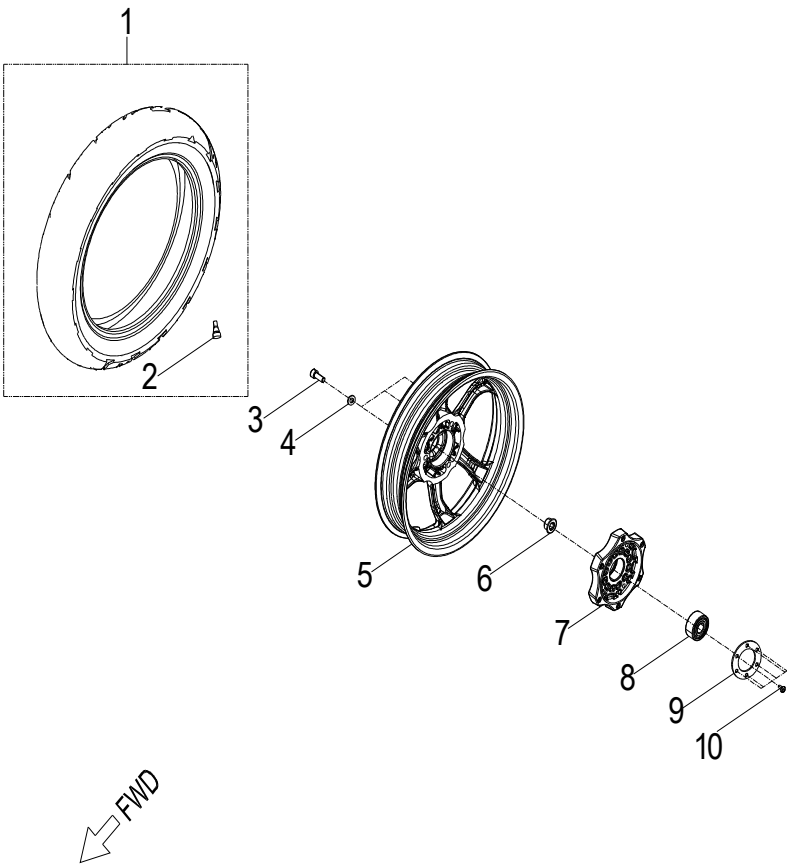


D-21:SEAT

ITEM	DESCRIPTION	P/N	Q'TY	Note
1	Seat	QS200S3507000	1	
2	Seat, Backrest	QS242S3500000	1	
3	Bolt	QS00706018800K	2	M6*P1.0*18L W/Washer
4	Seat Fixed Plate	QS234208000	1	
5	Passenger seat	QS276S3500001	1	
6	Tube, Spacer	QS810253000	1	
7	E-Clip	QS5130600E	1	
8	Seat Fix Shaft	QS20320400001	1	
9	Added helmet box cover	QS112S3500000	1	
10	Screw	QS903105014800K	1	
11	Bolt	QS00905016800K	48	M5*P0.8*16L W/Washer
12	Foam	QS626S35000	2	
13	E-Clip	QS5130500E	2	
14	Tube, Spacer	QS81025200001	2	
15	Seat Fix Shaft	QS20320300001	2	
16	BOX	QS207S3500000	1	
17	Nut	QS3550800014K	2	
18	Bolt	QS00706016800K	2	M6*P1.0*16L W/Washer
19	Stopper	QS259S3500000	2	
20	Nut-U, M6	QS6112120100B	2	
21	Nut-U	QS12120300B	4	
22	Pouch, Tool	QS89120218000	1	
23	Cable, Seat Lock	QS23262U000	1	
24	Box Cover	QS202S3500000	1	

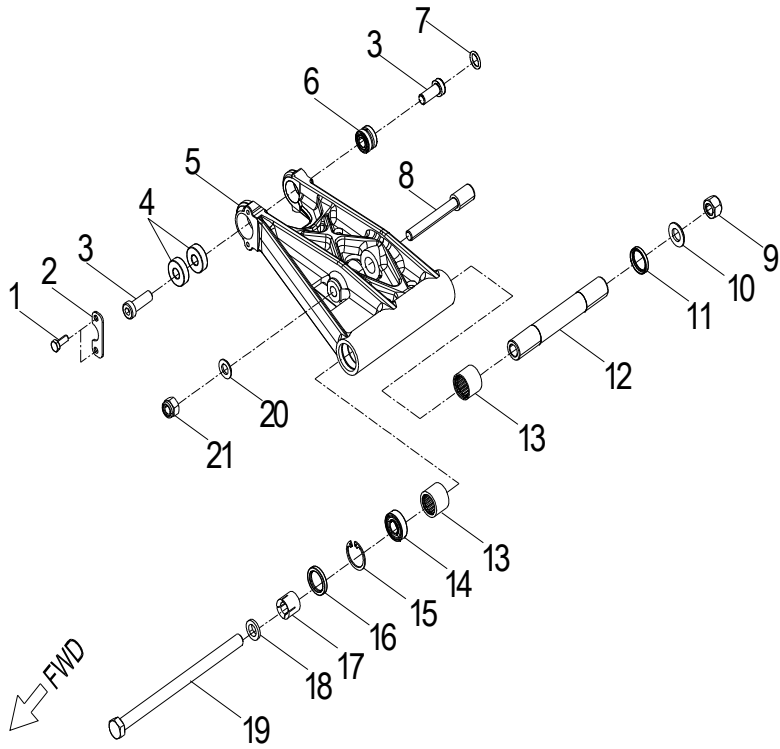


# D-22:FRONT WHEEL



ITEM	DESCRIPTION	P/N	Q'TY	Note
1	Tire	QS711253001	2	
2	Valve, Rim	QS616204000	2	
3	Bolt	QS00810030800B	6	
4	Washer	QS1011018010000	6	
5	Front Rim	QS702S35067	2	
6	Nut	QS0531400000B	2	M14*1.5
7	Wheel Hub	QS010S38002	2	
8	Bearing, Ball	QS10233040LLU00K	2	
9	Stopper, Bearing, Front A Arm	QS93201000	2	
10	Bolt, Wheel Hub	QS12201000	12	

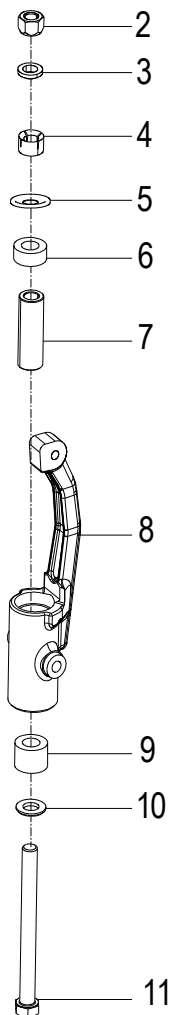
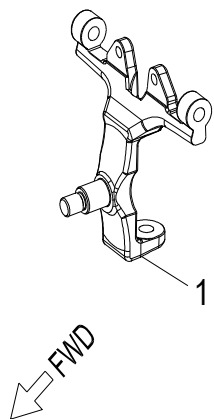
D-23:A-ARM



ITEM	DESCRIPTION	P/N	Q'TY	Note
1	Bolt	QS00005016800K	4	M5*P0.8*16L
2	Stopper, Bearing, Front A Arm	QS093S38000	2	
3	Bolt	QS00010030800K	4	M10*P1.25*30L
4	Bearing, Ball	QS10060000LLU00	4	
5	Front A Arm	QS13700200000	2	
6	Bearing	QS213RNA4900	2	
7	O-Ring	QS21001326	2	φ13.3x2.6
8	Bolt	QS092S38000	2	
9	Nut	QS3501200000K	2	M12*P1.25
10	Washer	QS101122402500K	2	
11	Seal, Oil	QS500202604NBR	2	
12	Tube, Spacer	QS810238000	2	
13	Bearing, Needle	QS200202620	4	
14	Bearing, Ball	QS10060010LLU00	2	6001LLU
15	Clip, Cir	QS5122800R	2	
16	Seal, Oil	QS500202804NBR	2	
17	Spacer	QS094201000	2	
18	Washer	QS095201000	2	12.1*20*5mm
19	Bolt	QS00012195814K	2	M12*P1.25*195L
20	Washer	QS101102202000K	2	φ10.1*φ22*t2
21	Nut	QS3501000000C	2	M10*P1.25

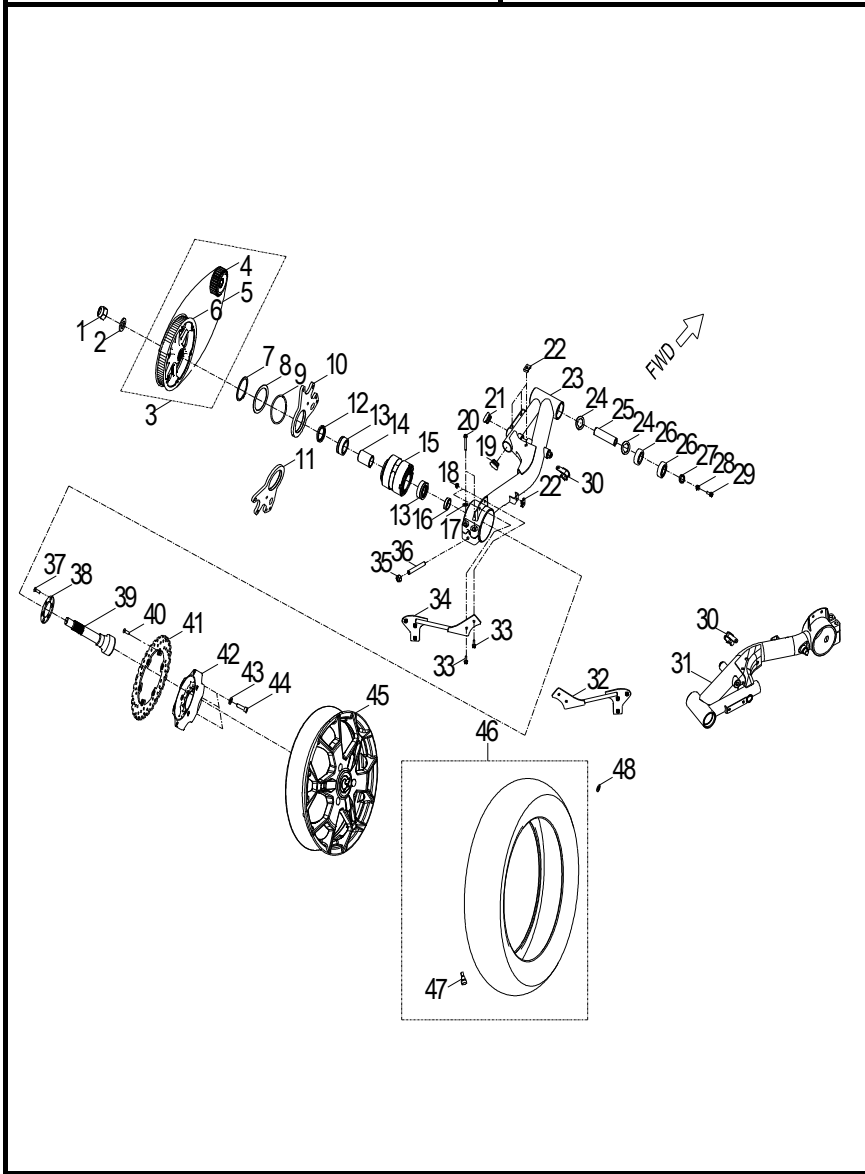


## D-24:KNUCKLE



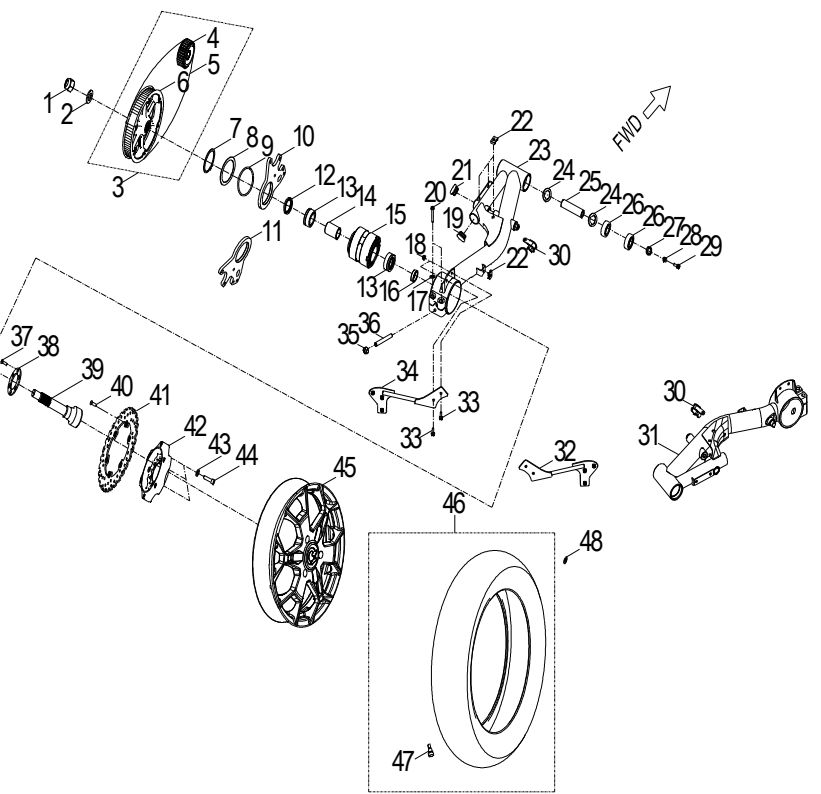
ITEM	DESCRIPTION	P/N	Q'TY	Note
1	Turing Knuckle	QS626S38000	2	
2	Nut	QS3501200000K	2	M12*P1.25
3	Washer	QS095201000	2	12.1*20*5mm
4	Spacer	QS094202000	2	
5	Cover, Bearing	QS149S38001	2	
6	Bearing, Ball	QS10062010LLU00	2	
7	Tube, Spacer	QS810239000	2	
8	Knuckle	QS302S38000	2	
9	Bearing, Ball	QS10253201LLU00	2	
10	Washer	QS101132102000K	2	13*21*t2
11	Bolt	QS00012120814K	2	M12*P1.25*120L

## D-25: REAR WHEEL



ITEM	DESCRIPTION	P/N	Q'TY	Note
1	Nut	QS3502000030C	2	
2	Washer	QS101213703000C	2	
3	Driven side pulley ass'y	QS006S3500001	2	
4	Drive side pulley	QS45669D000	2	
5	Belt, Driven	QS100S35000	2	
6	Driven side pulley	QS206S35000	2	
7	Clip, Cir	QS5116300S	2	
8	Washer	QS1016380010SUS	2	
9	O-Ring	QS21007135	2	
10	Rear caliper support (R)	QS007S35001	1	
11	Rear caliper support (L)	QS006S35001	1	
12	Seal, Oil	QS500324707NBR	4	
13	Bearing, Ball	QS10060050LLU00	4	
14	Tube, Spacer	QS81024900000	2	
15	Eccentric	QS565S35001A0	2	
16	Tube, Spacer	QS81025500000	2	
17	Washer	QS94121102001000K	4	
18	Nut	QS3500600000K	4	M6*P1.0
19	Cap	QS600202510000000	2	
20	Bolt	QS0081005080KL	4	
21	Cap	QS600003215000000	2	
22	Nut-U, M6	QS6112120100B	4	
23	Swing Arm, 3RD, Rh	QS479S3500100	1	
24	Washer	QS941092035015	4	
25	Tube, Spacer	QS81024800000	2	
26	Bearing, Ball	QS10063020LLU00	4	
27	Spacer	QS311S3500000	2	
28	Spacer	QS094S3500000	2	
29	Bolt	QS00014137819C	2	
30	Bracket, Brake Switch	QS43465205	2	
31	Swing Arm, 3RD, Lh	QS478S3500100	1	
32	Bracket, Fender, Front wheel(L)	QS85400100100	1	
33	Bolt	QS0000601480KL	4	M6*P1.0*14L
34	Bracket, Fender, Front wheel(R)	QS85400200100	1	
35	Nut	QS3571000000K	2	
36	Adjusting screw	QS109S3500000	2	
37	Bolt, Wheel Hub	QS12201000	12	
38	Stopper, Bearing, Front A Arm	QS93201000	2	
39	Rear wheel shaft	QS003S3500001	2	
40	Bolt	QS016S38000	12	

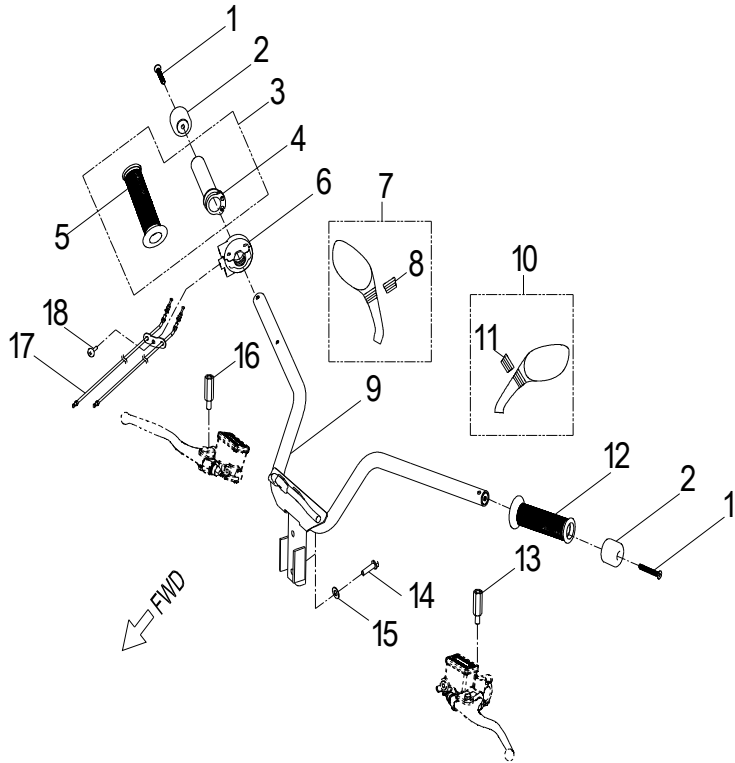
## D-25: REAR WHEEL



ITEM	DESCRIPTION	P/N	Q'TY	Note
41	Disc, Brake	QS511S3500001	2	
42	Wheel Hub	QS010S38002	2	
43	Washer	QS1011018010000	6	
44	Bolt	QS00810030800B	6	
45	Front Rim	QS702S35067	2	
46	Tire	QS711253001	2	
47	Valve, Rim	QS616204000	2	
48	Washer	QS101102202000K	2	φ10.1*φ22*t2



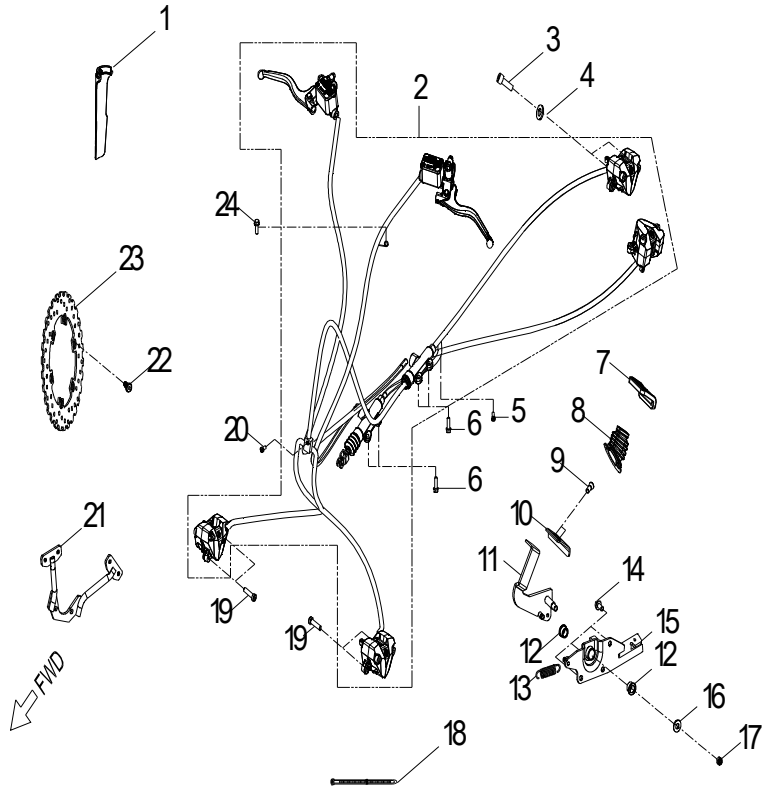
# D-26:HANDLEBAR



ITEM	DESCRIPTION	P/N	Q'TY	Note
1	Bolt	QS00006045800B	2	
2	Grip End	QS11662U850	2	
3	Asm., Grip, RH	QS160201001	1	
4	Sleeve, Grip, Throttle	QS18762U000	1	
5	Grip, Hand, RH	QS165201001	1	
6	Throttle Clamp	QS18862U000	1	
7	Mirror, Rh	QS110S38000	1	
8	Boot, Mirror, RH	QS88131S38000	1	
9	Handlebar	QS100S38000	1	
10	Mirror, Lh	QS120S38000	1	
11	Boot, Mirror, LH	QS132S38000	1	
12	Grip, Hand, LH	QS166202001	1	
13	Conversion, Bolt, Mirror, R/L	QS20408045814K	1	
14	Bolt	QS0000803080KL	2	
15	Washer	QS101081801600K	2	
16	Conversion, Bolt, Mirror, R/L	QS20308045814K	1	
17	Cable, Throttle	QS910S38000	1	
18	Bolt	QS10005012800K	1	M5*P0.8*12L



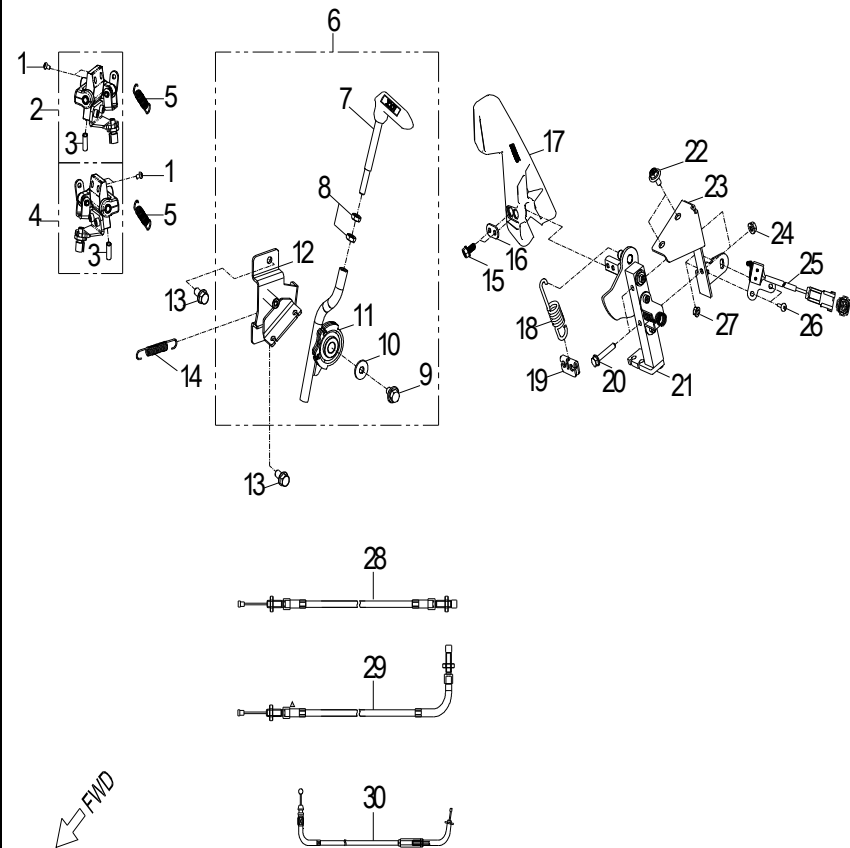
## D-27:FRONT BRAKE MASTER CYL



ITEM	DESCRIPTION	P/N	Q'TY	Note
1	Protection Cover , HTS	QS097S38000	2	
2	Asm. Front and Rear Brake	QS030S3500000	1	
3	Bolt	QS0000801480KL	4	M8*P1.25*14L
4	Washer	QS101081601000C	2	
5	Bolt	QS9100006012800K	1	M6*P1.0*12L
6	Bolt	QS00006022800K	4	M6*P1.0*22L
7	Rubber Cover, Pedal, Foot Brake	QS488S38000	1	
8	Boot, Foot Brake	QS489S38000	1	
9	Bolt	QS9020601280CL	2	
10	Plate, Foot Brake	QS487S38000	1	
11	Lever, Foot Brake	QS493S38000	1	
12	Bushing	QS912201000	2	
13	Spring, Switch	QS422210000	1	
14	Bolt	QS0000801480KL	3	M8*P1.25*14L
15	Bracket, Foot Brake	QS494S38000	1	
16	Washer	QS101102202000C	1	φ10.1*φ22*t2
17	Nut	QS3501000000C	1	M10*P1.25
18	Strap	QS769206000	4	
19	Bolt, Caliper, Brake	QS43209S38001	4	
20	Bolt	QS00006016800K	1	
21	Bracket, Fender, Front wheel	QS854S38000	2	
22	Bolt	QS016S38000	12	
23	Disc, Brake	QS511S3500001	2	
24	Bolt	QS00706016800K	1	M6*P1.0*16L W/Washer



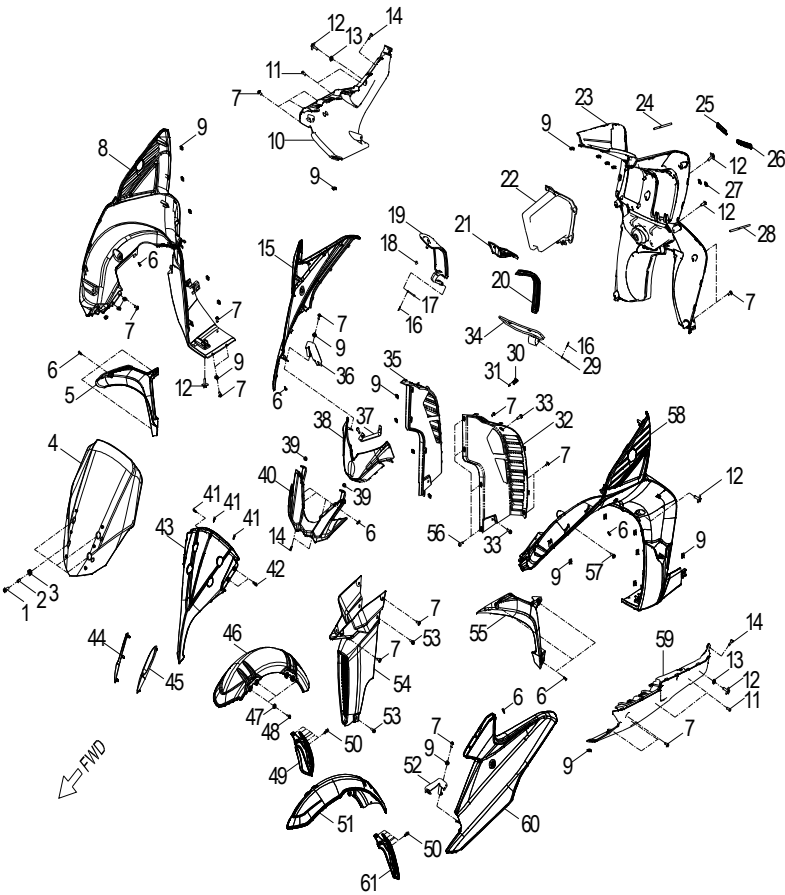
# D-28: PARK BRAKE LOCK



ITEM	DESCRIPTION	P/N	Q'TY	Note
1	Bolt	QS91003080228SUL	4	
2	Asm., Parking Brake, LH	QS205S3500000	1	
3	Adj. Bolt kits, Parking	QS43206202	2	
4	Asm., Parking Brake, RH	QS204S3500000	1	
5	Spring, parking caliper	QS42221200000	2	
6	Asm. Parking Brake Lever	QS50930010001	1	
7	Grip, Parking Brake	QS934S38001	1	
8	Nut	QS0500800000K	2	
9	Bolt	QS00006012810C	1	
10	Washer	QS101061802000C	1	
11	Lever, Parking Brake	QS931S35000	1	
12	Bracket, Parking Brake	QS50932S35	1	
13	Bolt	QS0000801680KL	4	M8*P1.25*16L
14	Spring, HTS lever	QS42221300000	1	
15	Bolt	QS00005028808K	2	
16	Fix Plate	QS21127000000	1	
17	Parking lever cover	RAW BLACK SNOW WHITE SWISS RED TITANIUM GRAY	1	
18	Spring, Switch	QS42221100001	1	
19	Bracket, Parking Cable	QS45320300000	1	
20	Bolt	QS00006035800K	2	
21	Asm. Parking Brake Lever	QS930S3500000	1	
22	Bolt	QS00706016800K	2	M6*P1.0*16L W/Washer
23	Parking lever seat	QS92900100000	1	
24	Nut	QS0500600000K	2	M6*P1.0
25	Micro switch seat ass'y	QS42400100000	1	
26	Bolt	QS10005012800K	2	M5*P0.8*12L
27	Nut	QS3500500000K	2	M5*P0.8
28	Cable, Parking Brake, RH	QS933001001	1	
29	Cable, Parking Brake, LH	QS93300200001	1	
30	Cable, Parking Brake Lever enable	QS70621600000	1	



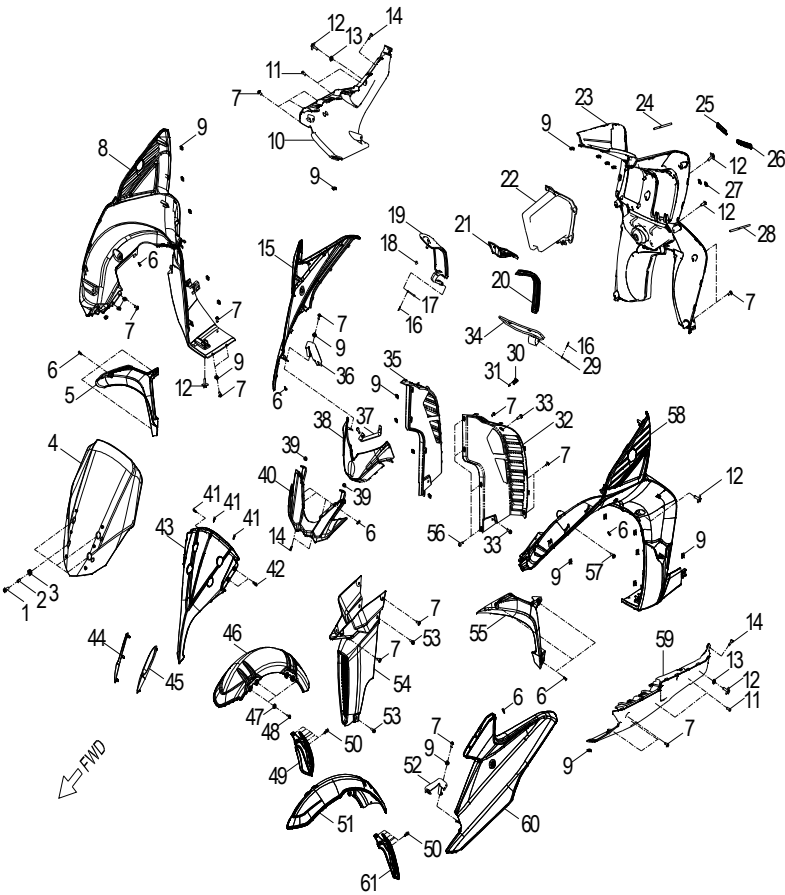
## D-29: WINDSHIELD



ITEM	DESCRIPTION	P/N	Q'TY	Note
1	Bolt	QS00706022800K	4	M6*P1.0*22L W/Washer
2	Tube, Spacer	QS810215000	4	
3	Grommet	QS129204000	4	
4	Screen	QS311S38112	1	
5	Front Shield Lateral (RH)	RAW BLACK SNOW WHITE SWISS RED TITANIUM GRAY	1	
6	Screw	QS903105014800K	28	
7	Bolt	QS00905016800K	23	M5*P0.8*16L W/Washer
8	Front Shield Upper Element(RH)	QS127S38000	1	
9	Nut-U	QS12120300B	53	
10	Panel, Bottom, RH	QS83501S3500000	1	
11	Bolt	QS910030601680	4	
12	Bolt	QS00706016800K	7	M6*P1.0*16L W/Washer
13	Washer	QS150071705000K	14	φ7.1*φ17*t5
14	Bolt	QS00905012800K	4	M5*P0.8*12L W/Washer
15	Front Cover, RH	RAW BLACK SNOW WHITE SWISS RED TITANIUM GRAY	1	
16	Cotter Pin	QS20312200	2	
17	Shaft, Filler Cover	QS30206059	1	
18	Plug, Rubbe, Hood	QS424S38000	1	
19	Cover, Glove Box	QS134S38000	1	
20	Rubber , Parking Brake Lever	QS708S38001	1	
21	Cover, Main Switch	BLACK SWISS RED	1	
22	Glove Box	QS271S38001	1	
23	Inner Box	QS131S38001	1	
24	Rubber Seal, Glove Box	QS43205000515	1	
25	Cover, Heating(R)	QS147S38000	1	
26	Cover, Heating(L)	QS146S38000	1	
27	U-Nut	QS3450400002T	2	M4*P0.6
28	Rubber Seal, Glove Box	QS43205006750	1	
29	Shaft, Filler Cover	QS30206045	1	
30	Fastener, Small Storage Box	QS104S38000	2	
31	Screw	QS907103008800K	4	
32	Radiator Cover, LH	QS118S3500000	1	
33	Bolt	QS00006016810K	4	M6*P1.0*16L



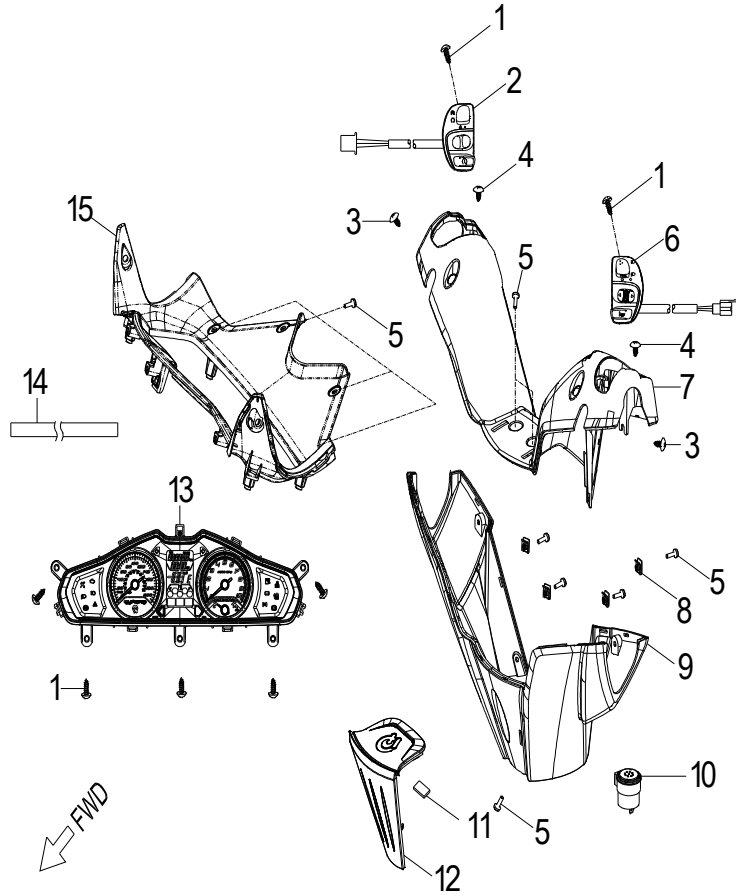
## D-29:WINDSHIELD



ITEM	DESCRIPTION	P/N	Q'TY	Note
34	Cover, Small Storage Box	BLACK	QS227S38112	1
		SWISS RED	QS227S38358	
35	Radiator Cover, RH	QS119S3500000	1	
36	Bracket, Front Cover, RH	QS294S38000	1	
37	Bracket, Front Cover, Middle	QS292S38000	1	
38	Shield Element, Front Upper	RAW BLACK	QS291S38131	1
		SNOW WHITE	QS291S38243	
		SWISS RED	QS291S38358	
		TITANIUM GRAY	QS291S38850	
39	Nut	QS0500500000C	2	M5*P0.8
40	Shield Element, Front Lower	QS153S38000	1	
41	Screw	QS903105012800K	3	M5*12L
42	Rivet, Plastic	QS120153000	4	
43	Cover, Headlight	QS321S38000	1	
44	Veneer, RH	QS50350N070	1	
45	Veneer, LH	QS60350N070	1	
46	Fender, Front, RH	QS853S38001	1	
47	Washer	QS150071707500K	8	φ6.5*φ17.5*t7.5
48	Bolt	QS910030601680	8	
49	Rubber Mudguard, Fender	QS61115206001	1	
50	Rivet, Plastic	QS120204000	12	
51	Fender, Front, LH	QS852S38001	1	
52	Bracket, Front Cover, LH	QS293S38000	1	
53	Bolt	QS00706012800K	4	M6*P1.0*12L
54	Cover, HTS	QS860S38000	1	
55	Front Shield Lateral (LH)	RAW BLACK	QS151S38131	1
		SNOW WHITE	QS151S38243	
		SWISS RED	QS151S38358	
		TITANIUM GRAY	QS151S38850	
56	Bolt	QS10005016800K	6	M5*P0.8*16L
57	Bolt	QS00006014810K	6	M6*P1.0*14L
58	Front Shield Upper Element(LH)	QS126S38000	1	
59	Panel, Bottom, LH	QS601S3500000	1	
60	Front Cover, LH	RAW BLACK	QS001S38131	1
		SNOW WHITE	QS001S38243	
		SWISS RED	QS001S38358	
		TITANIUM GRAY	QS001S38850	
61	Rubber Mudguard, Fender	QS61115205001	1	

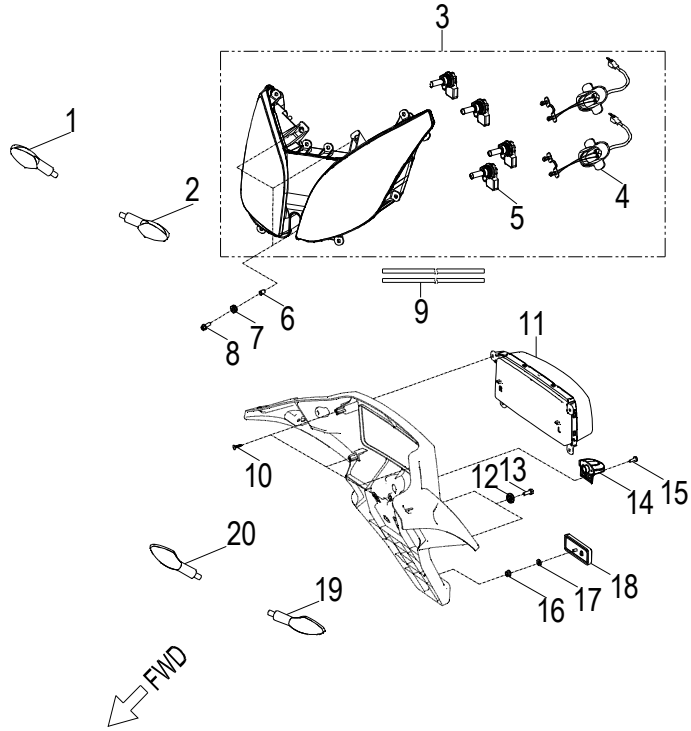


## D-30:ASM SPEEDOMETER



ITEM	DESCRIPTION	P/N	Q'TY	Note
1	Screw	QS903105012800K	7	M5*12L
2	Switch, Handle, RH	QS870S3500000	1	
3	Screw	QS903105014800K	2	
4	Screw	QS903104016800K	2	
5	Bolt	QS00905012800K	7	M5*P0.8*12L W/Washer
6	Switch, Handle, LH	QS86062U000	1	
7	Pod, Upper, Handlebar	QS211S38000	1	
8	Nut-U	QS12120300B	4	
9	Cover, Handlebar, Lower	QS212S38000	1	
10	Relay, Signal	QS302209000	1	
11	Foam, battery	QS113153000	1	
12	Pod, Handlebar	BLACK SWISS RED	1	
13	Asm., Speedometer	QS200S3500000	1	
14	Foam	QS19626010	1	
15	Speedometer Cover	RAW BLACK SNOW WHITE SWISS RED TITANIUM GRAY	1	
16	Bolt	QS00706016800K	4	M6*P1.0*16L W/Washer

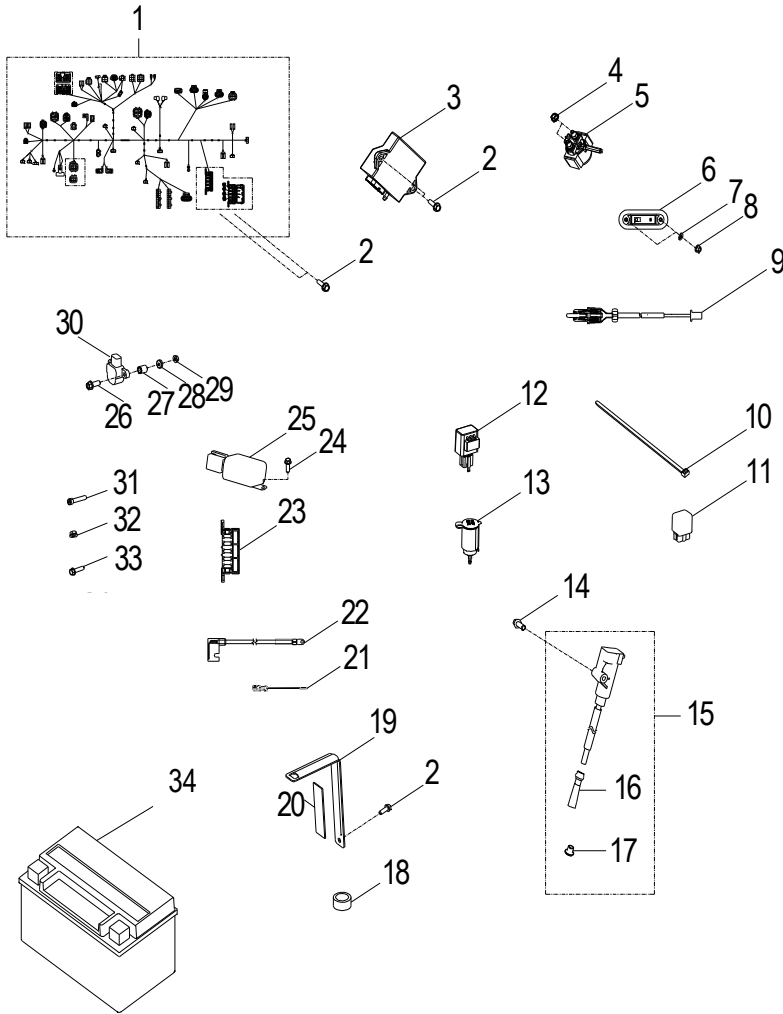
## D-31:LIGHTS



ITEM	DESCRIPTION	P/N	Q"TY	Note
1	Asm., Signal, Front/Rear RH	QS400219000	1	
2	Asm., Signal, Front/Rear, LH	QS450219000	1	
3	Asm., Headlight	QS100237000	1	
4	Led Light Comp	QS202202001	2	
5	Bulb, Headlight	QS901222000	4	
6	Tube, Spacer	QS810215000	3	
7	Grommet	QS129204000	3	
8	Bolt	QS00706020800K	3	
9	Foam	QS19626S380	2	
10	Screw	QS903105012800K	4	M5*12L
11	Asm,Taillight	QS700S3500000	1	
12	Washer	QS150071705000K	2	φ7.1*φ17*t5
13	Bolt	QS00706016800K	2	M6*P1.0*16L W/Washer
14	Asm., License Light	QS750202000	1	
15	Bolt	QS10005016800K	1	M5*P0.8*16L
16	Nut	QS3500500000K	1	M5*P0.8
17	Washer	QS101051401000K	1	φ5.1*φ14*t1
18	Reflector	QS741201000	1	
19	Asm., Signal, Rear, LH	QS850S35000	1	
20	Asm., Signal, Rear, RH	QS800S35000	1	



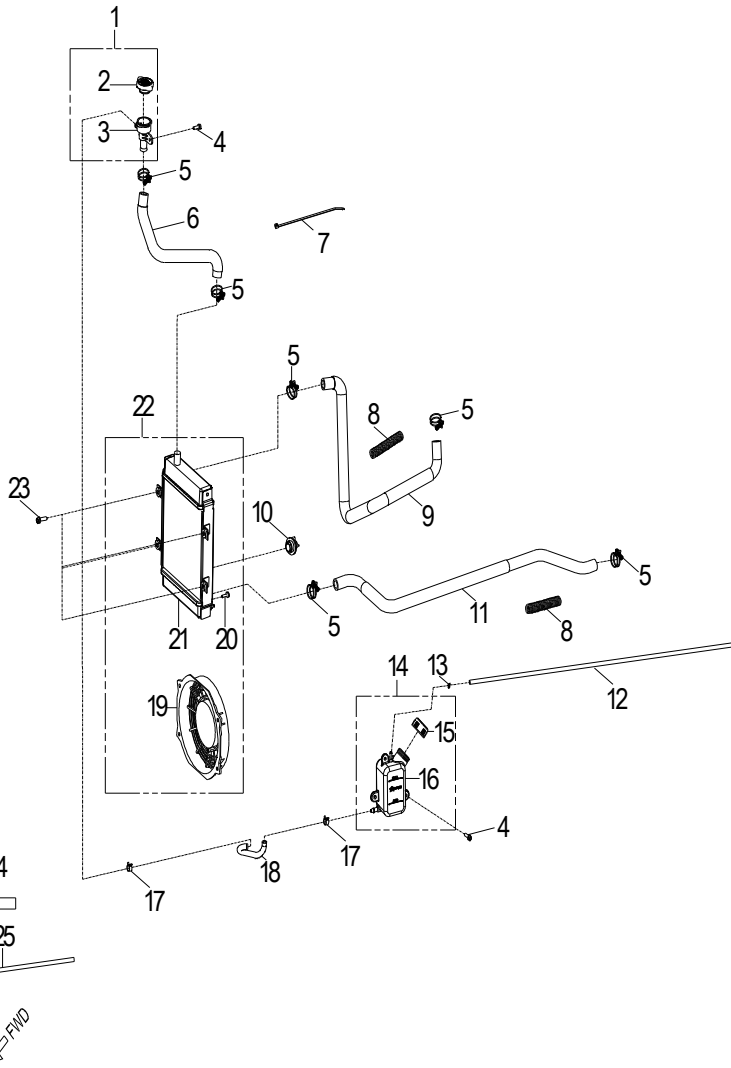
## D-33:ELECTRICAL PARTS



ITEM	DESCRIPTION	P/N	Q'TY	Note
1	Harness, Main Wire	QS100S3500001	1	
2	Bolt	QS00006016810K	5	M6*P1.0*16L
3	Electroni Control Unit, ECU	QS3044069D	1	
4	Nut	QS0500600000K	3	M6*P1.0
5	Starter Relay	QS501207000	1	
6	Lamp, Storage Box	QS261201000	1	
7	Washer	QS101041201000K	2	φ4*φ12*t1
8	Nut	QS3500400000K	2	M4*P0.6
9	Switch, Lamp, Storage Box	QS26262U000	1	
10	Strap	QS89769207000	41	
11	Relay, Thermo Switch	QS42951T000	1	
12	Relay, Parking	QS701201000	1	
13	Power Supplier	QS130S38000	2	
14	Bolt	QS00006035800K	1	
15	Asm., Ignition Coil	QS51151T000	1	
16	Cap, Spark Plug	QS60051T000	1	
17	Insulator Coil	QS60551T000	1	
18	Rubber Tube	QS813201000	1	
19	Bracket, Battery	QS31502S380	1	
20	Foam, battery	QS113203000	1	
21	Sensor, Temperature	QS124S35000	1	
22	Asm., Battery Cable	QS001S3500000	1	
23	Fuse Box	QS109206000	1	
24	Bolt	QS00006010810K	1	M6*P1.0*10L
25	Relay, EFI	QS3850262U0	1	
26	Bolt	QS00005020800C	2	
27	Spacer	QS311206000	2	
28	Foam	QS502210000	2	
29	Nut	QS0500500000C	2	M5*P0.8
30	Switch, Topple Over	QS16262U000	1	
31	Bolt	QS9100005012800C	1	
32	Nut	QS0500500000C	1	M5*P0.8
33	Bolt	QS00006012810K	1	M6*P1.0*12L
34	Battery	QS50039A001	1	



## D-34: RADIATOR

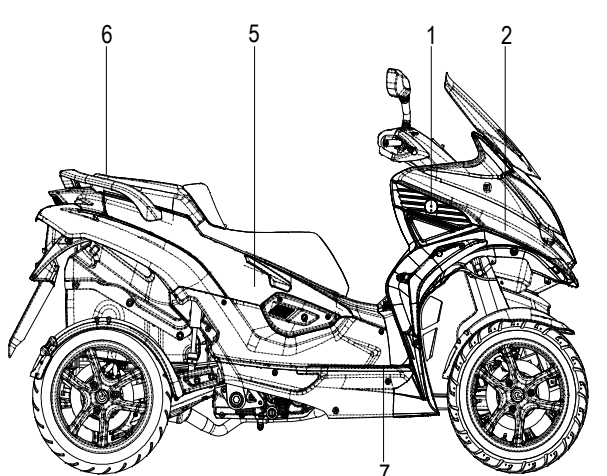
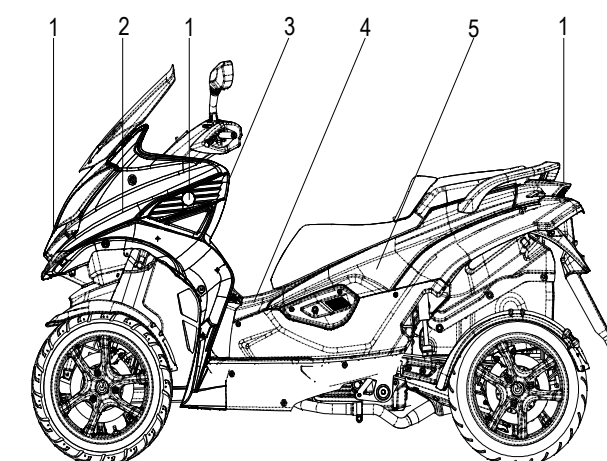


ITEM	DESCRIPTION	P/N	Q'TY	Note
1	Asm., Water Cap	QS1911362U0	1	
2	Cap, Water	QS11150A000	1	
3	Tube, Water Cap	QS11462U000	1	
4	Bolt	QS00506016800K	3	M6*P1.0*16L W/Washer
5	Clamp	QS22250A000	6	
6	Hose, Water Cap, Radiator	QS19504S380	1	
7	Strap	QS569131000	1	
8	Spring, Coolant Hose	QS50762U000	1	
9	Hose, Inlet, Radiator	QS503S3500001	1	
10	Asm., Switch, Thermosatic	QS32051T000	1	
11	Hose, Outlet, Radiator	QS501S3500000	1	
12	Tube, Oil	QS40304008750	1	
13	Clip	QS51006500	1	
14	Asm., Expansion Tank	QS10020100003	1	
15	Cap, Expansion Tank	QS1910250A000	1	
16	Tank, Expansion	QS1910150A0	1	
17	Clamp	QS51512008	2	12*8
18	Hose, Inlet, Expansion Tank	QS50620500001	1	
19	Asm., Fan	QS00562E001	1	
20	Screw	QS00306016800K	3	M6*P1.0*16L W/Washer
21	Radiator	QS01151T000	1	
22	Asm., Radiator	QS01051T001	1	
23	Bolt	QS00706022800K	4	M6*P1.0*22L W/Washer
24	Foam, battery	QS113208000	1	
25	Hose	QS40805007720A	1	



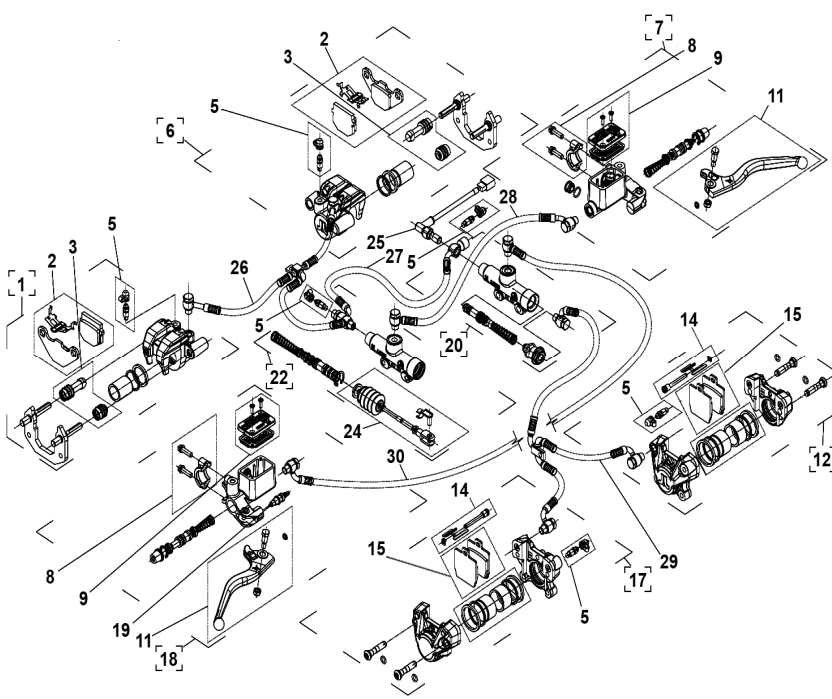


### D-35:DECALS



ITEM	DESCRIPTION	P/N	Q'TY	Note
1	Logo "Q" (35 mm)	QS00000001	4	
2	Decal,HTS	RAW BLACK & TITANIUM GRAY	2	(Sticker color: RED)
		SNOW WHITE		(Sticker color: RED+CHROME)
		SWISS RED		(Sticker color: GOLDEN)
3	Decal, Warning, General	QS852208000	1	
4	Decal,Unleaded Fuel Only	QS00000012	1	
5	QUADRO4	SWISS RED	2	(Sticker color: GOLDEN)
		RAW BLACK TITANIUM GRAY SNOW WHITE		(Sticker color: RED)
6	Decal, Tire Pressure	QS87864214	1	
7	Decal, Antirust, VIN	QS17201000	1	

## D-36: BRAKES



ITEM	DESCRIPTION	P/N	Q'TY	Note
1	R/H Rear Caliper	QC364030M01	1	
2	Brake Pads Kit	QCA0648860030	2	
3	Pin Bolt Boot Kit	QC810001NTO	2	
5	Bleeder Kit	QC20908860000	6	
6	L/H Rear Caliper	QC364031M00	1	
7	L/H Master C.	QC0912670112	1	
8	Holder Kit	QCA0032660000	2	
9	Cover Kit	QCA0602760000	2	
11	Lever Kit	QCA0602760010	2	
12	L/H Front Caliper	QC365021M00	1	
14	Pad Rod Kit	QC844006ZNO	2	
15	Pads Kit	QC852031M00	2	
17	R/H Front Caliper	QC365018M00	1	
18	R/H Master C.	QC460035M01	1	
19	Hand M/C Switch	QS10587000000	1	
20	Slave Valve	QC0912670010	1	
22	Foot Master Cylinder	QC462009M00	1	
24	Push Rod Kit	QCA0240360000	1	
25	Rear M/C Switch	QS247/0.0	1	
26	Rear Caliper Brake Hose	QC270018M00	1	
27	Foot M/C Brake Hose	QC270017M00	1	
28	L/H Hand M/C Brake Hose	QC270015M00	1	
29	Front Caliper Brake Hose	QC270019M00	1	
30	R/H Hand M/C Brake Hose	QC270016M00	1	